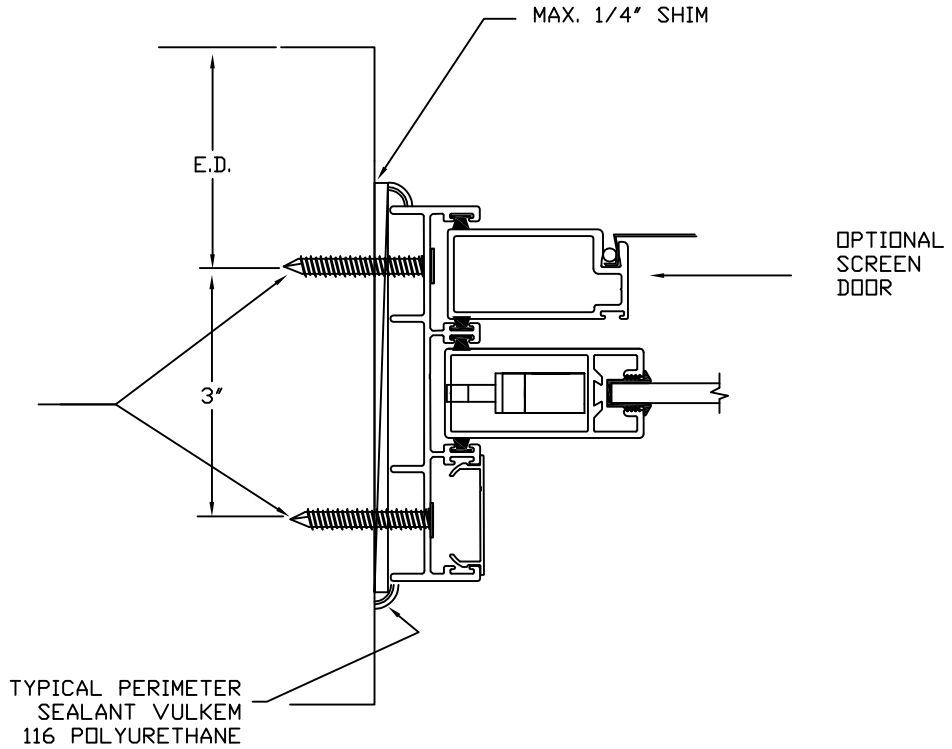


EXTERIOR

TWO ROWS OF ANCHORS TYPE A, B, C  
AT 6' FROM THE ENDS AND EQUALLY SPACED  
NOT EXCEEDING 16" OC.  
(MUST USE #14 FLATHEAD ACHDRS)



TYPICAL PERIMETER  
SEALANT VULKEM  
116 POLYURETHANE

INTERIOR

ANCHOR TYPES:

- A- 1/4" STAINLESS FH TAPCON BY ITW BUILDEX WITH 1 3/4" MIN. EMBED. INTO 3192 psi CONCRETE OR BLOCK
- B- 1/4" STAINLESS FH TAPCON BY ITW BUILDEX WITH 1 1/4" MIN. EMBED. INTO PT WOOD (SG) = .55
- C- 1/4-14 SELF DRILLING GRADE 5 SCREWS INTO 1/8" METAL STRUCTURES



Manufacturers of Standard and Custom Sliding Doors

1505 COMMERCE LANE, P.O. BOX 794  
JUPITER, FLORIDA 33458  
PHONE: (561) 746-5493

DRAWING DESCRIPTION:  
3000 NON-IMPACT JAMB  
CROSS SECTION

DESIGNED BY	DATE	DRAWING No.	REV.
DRAWN BY 8/4/08	DATE		
APPROVED BY	DATE	AUTOCAD FILE NAME NON-IMPACTJAMBDETAIL.DWG	SHEET 1 OF 1