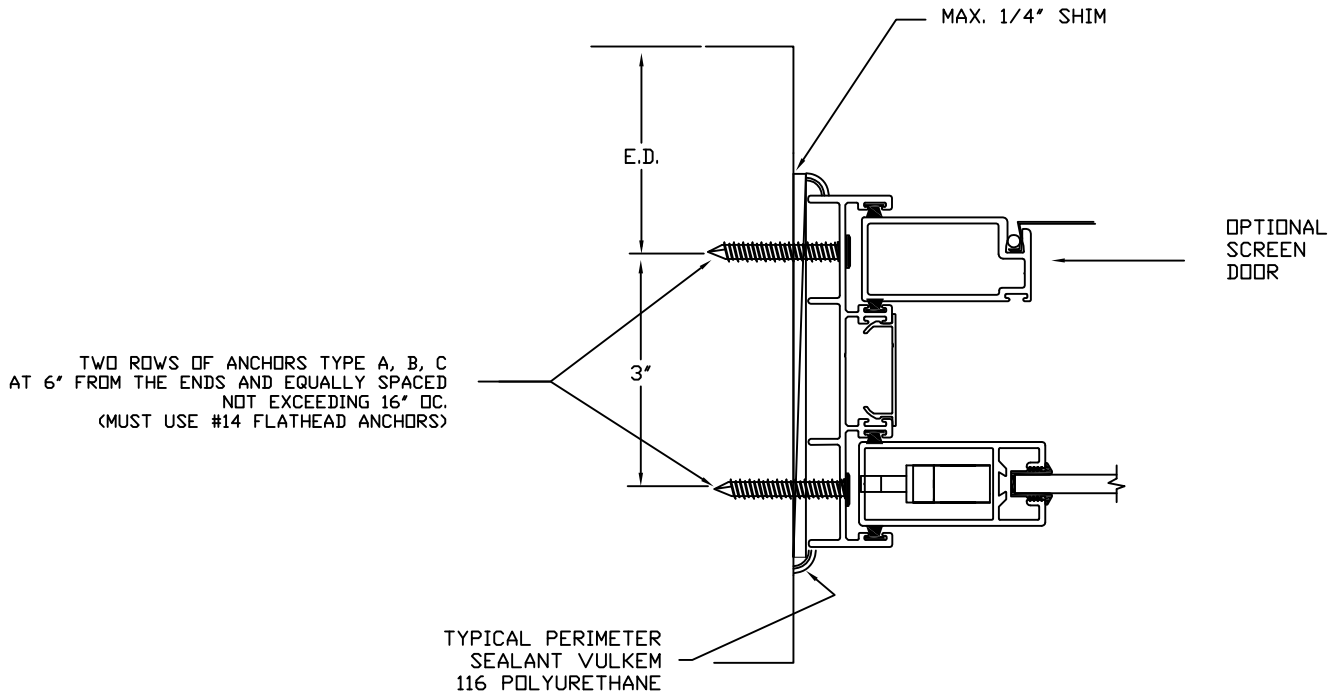


EXTERIOR



INTERIOR

TWO ROWS OF ANCHORS TYPE A, B, C
AT 6" FROM THE ENDS AND EQUALLY SPACED
NOT EXCEEDING 16" OC.
(MUST USE #14 FLATHEAD ANCHORS)

TYPICAL PERIMETER
SEALANT VULKEM
116 POLYURETHANE

ANCHOR TYPES:
 A- 1/4" STAINLESS FH TAPCON BY ITW BUILDEX
 WITH 1 3/4" MIN. EMBED. INTO 3192 psi CONCRETE
 OR BLOCK
 B- 1/4" STAINLESS FH TAPCON BY ITW BUILDEX
 WITH 1 1/4" MIN. EMBED. INTO PT WOOD (SG) = .55)
 C- 1/4-14 SELF DRILLING GRADE 5 SCREWS INTO
 1/8" METAL STRUCTURES

		DRAWING DESCRIPTION: 1200 NON-IMPACT JAMB CROSS SECTION			
		DESIGNED BY	DATE	DRAWING No.	REV.
1505 COMMERCE LANE, P.O. BOX 794 JUPITER, FLORIDA 33458 PHONE: (561) 748-5493		DRAWN BY 8/4/08	DATE	APPROVED BY	DATE
		AUTOCAD FILE NAME NON-IMPACTJAMBDETAIL.DWG	SHEET 1 OF 1		