



BUILDING CODE COMPLIANCE OFFICE (BCCO)
PRODUCT CONTROL DIVISION

MIAMI-DADE COUNTY, FLORIDA
METRO-DADE FLAGLER BUILDING
140 WEST FLAGLER STREET, SUITE 1603
MIAMI, FLORIDA 33130-1563
(305) 375-2901 FAX (305) 372-6339

NOTICE OF ACCEPTANCE (NOA)

www.miamidade.gov/buildingcode

Southeastern Door Co.
1505 Commerce Lane
Jupiter, FL 33458

SCOPE:

This NOA is being issued under the applicable rules and regulations governing the use of construction materials. The documentation submitted has been reviewed by Miami-Dade County Product Control Division and accepted by the Board of Rules and Appeals (BORA) to be used in Miami Dade County and other areas where allowed by the Authority Having Jurisdiction (AHJ).

This NOA shall not be valid after the expiration date stated below. The Miami-Dade County Product Control Division (In Miami Dade County) and/or the AHJ (in areas other than Miami Dade County) reserve the right to have this product or material tested for quality assurance purposes. If this product or material fails to perform in the accepted manner, the manufacturer will incur the expense of such testing and the AHJ may immediately revoke, modify, or suspend the use of such product or material within their jurisdiction. BORA reserves the right to revoke this acceptance, if it is determined by Miami-Dade County Product Control Division that this product or material fails to meet the requirements of the applicable building code. This product is approved as described herein, and has been designed to comply with the Florida Building Code, including the High Velocity Hurricane Zone.

DESCRIPTION: Series "Atlas Plus" Aluminum Sliding Glass Door - N.I.

APPROVAL DOCUMENT: Drawing No. **04-227R2**, titled "Atlas Plus Series Models 1200, 1200A, 3000, 3000R Aluminum Sliding Glass Door", sheets 1 through 9 of 9, prepared by EngCo Inc., dated 12/06/2005, signed and sealed by Pedro De Figueiredo, P.E., Bearing the Miami-Dade County Product Control Renewal stamp with the Notice of Acceptance number and expiration date by the Miami-Dade County Product Control Division.

MISSILE IMPACT RATING: None

LABELING: Each unit shall bear a permanent label with the manufacturer's name or logo, Springdale, AR and the following statement: "Miami-Dade County Product Control Approved", unless otherwise noted herein.

REVISION of this NOA shall be considered after a renewal application has been filed and there has been no change in the applicable building code negatively affecting the performance of this product.

TERMINATION of this NOA will occur after the expiration date or if there has been a revision or change in the materials, use, and/or manufacture of the product or process. Misuse of this NOA as an endorsement of any product, for sales, advertising or any other purposes shall automatically terminate this NOA. Failure to comply with any section of this NOA shall be cause for termination and removal of NOA.

ADVERTISEMENT: The NOA number preceded by the words Miami-Dade County, Florida, and followed by the expiration date may be displayed in advertising literature. If any portion of the NOA is displayed, then it shall be done in its entirety.

INSPECTION: A copy of this entire NOA shall be provided to the user by the manufacturer or its distributors and shall be available for inspection at the job site at the request of the Building Official. This NOA **renews NOA # 05-0921.11** and, consists of this page 1 and evidence pages E-1, E-2 and E-3, as well as approval document mentioned above. The submitted documentation was reviewed by **Jaime D. Gascon, P.E.**



J. Gascon
2/28/08

NOA No 08-0213.01
Expiration Date: March 06, 2013
Approval Date: March 20, 2008
Page 1

Southeastern Door Co.

NOTICE OF ACCEPTANCE: EVIDENCE SUBMITTED

A. DRAWINGS

1. Manufacturer's die drawings and sections.
2. Drawing No. **04-227R2**, titled "Atlas Plus Series Models 1200, 1200A, 3000, 3000R Aluminum Sliding Glass Door", sheets 1 through 9 of 9, prepared by EngCo, Inc., dated 12/06/2005, signed and sealed by Pedro De Figueiredo, P.E.

B. TESTS

1. Test reports on: 1) Air Infiltration Test, per FBC, TAS 202-94
2) Uniform Static Air Pressure Test, Loading per FBC, TAS 202-94
3) Water Resistance Test, per FBC, TAS 202-94
Along with marked-up drawings and installation diagram of an aluminum sliding glass door, prepared by Hurricane Test Laboratory, Inc., Test Report No. **HTL-0151-0205-02** dated 2/28/2002, signed and sealed by Vinu J. Abraham, P.E.
(Submitted under NOA # 05-0921.11)
2. Test reports on: 1) Air Infiltration Test, per FBC, TAS 202-94
2) Uniform Static Air Pressure Test, Loading per FBC, TAS 202-94
3) Water Resistance Test, per FBC, TAS 202-94
4) Forced Entry Test, per FBC 2411 3.2.1 and TAS 202-94
Along with marked-up drawings and installation diagram of an aluminum sliding glass door, prepared by Hurricane Test Laboratory, Inc., Test Report No. **HTL-0151-0603-02, HTL-0151-0722-02, HTL-0151-1019-02**, dated 10/16/2002, signed and sealed by Vinu J. Abraham, P.E.
(Submitted under NOA # 05-0921.11)
3. Test reports on: 1) Air Infiltration Test, per FBC, TAS 202-94
2) Uniform Static Air Pressure Test, Loading per FBC, TAS 202-94
3) Water Resistance Test, per FBC, TAS 202-94
4) Forced Entry Test, per FBC 2411 3.2.1 and TAS 202-94
Along with marked-up drawings and installation diagram of an aluminum sliding glass door, prepared by Hurricane Test Laboratory, Inc., Test Report No. **HTL-0151-0407-02**, dated 4/23/2002, signed and sealed by Vinu J. Abraham, P.E.
(Submitted under NOA # 05-0921.11)
4. Test reports on: 1) Air Infiltration Test, per FBC, TAS 202-94
2) Uniform Static Air Pressure Test, Loading per FBC, TAS 202-94
3) Water Resistance Test, per FBC, TAS 202-94
4) Forced Entry Test, per FBC 2411 3.2.1 and TAS 202-94
Along with marked-up drawings and installation diagram of an aluminum sliding glass door, prepared by Hurricane Test Laboratory, Inc., Test Report No. **HTL-0151-1014-03**, dated 10/16-30/2003, signed and sealed by Vinu J. Abraham, P.E.
(Submitted under NOA # 05-0921.11)



Jaime D. Gascon, P.E.
Chief, Product Control Division
NOA No 08-0213.01
Expiration Date: March 06, 2013
Approval Date: March 20, 2008

Southeastern Door Co.

NOTICE OF ACCEPTANCE: EVIDENCE SUBMITTED

B. TESTS (Continued)

5. Test reports on: 1) Air Infiltration Test, per FBC, TAS 202-94
2) Uniform Static Air Pressure Test, Loading per FBC, TAS 202-94
3) Water Resistance Test, per FBC, TAS 202-94

Along with marked-up drawings and installation diagram of an aluminum sliding glass door, prepared by Hurricane Test Laboratory, Inc., Test Report No. **HTL-0151-0914-04** dated 09/14-20/2004, signed and sealed by Vinu J. Abraham, P.E.

(Submitted under NOA # 05-0921.11)

6. Test reports on: 1) Air Infiltration Test, per FBC, TAS 202-94
2) Uniform Static Air Pressure Test, Loading per FBC, TAS 202-94
3) Water Resistance Test, per FBC, TAS 202-94
4) Forced Entry Test, per FBC 2411 3.2.1 and TAS 202-94

Along with marked-up drawings and installation diagram of an aluminum sliding glass door, prepared by Hurricane Test Laboratory, Inc., Test Report No. **HTL-0151-0614-04**, (specimen 1 & 2), dated 06/15-17/2004, signed and sealed by Vinu J. Abraham, P.E.

(Submitted under NOA # 05-0921.11)

C. CALCULATIONS

1. Anchor Calculations, and structural analysis, prepared by EngCo, Inc., dated 10/19/2004, signed and sealed by Pedro De Figueiredo, P.E.

Complies with ASTM E1300-98

(Submitted under NOA # 05-0921.11)

2. Anchor Calculations, ASTM E-1300, and structural analysis, prepared by EngCo, Inc., dated 01/15/2004, signed and sealed by Pedro De Figueiredo, P.E.

(Submitted under NOA # 05-0921.11)

3. Anchor Calculations, ASTM E-1300, and structural analysis, prepared by EngCo, Inc., dated 1/23/2003, signed and sealed by Pedro De Figueiredo, P.E.

(Submitted under NOA # 05-0921.11)

D. QUALITY ASSURANCE

1. Miami Dade Building Code Compliance Office (BCCO).

E. MATERIAL CERTIFICATIONS

1. None

F. STATEMENTS

1. Statement letter of no financial interest, dated 11/20/2002, signed and sealed by Pedro De Figueiredo, P.E.

(Submitted under NOA # 05-0921.11)



Jaime D. Gascon, P.E.

Chief, Product Control Division

NOA No 08-0213.01

Expiration Date: March 06, 2013

Approval Date: March 20, 2008

Southeastern Door Co.

NOTICE OF ACCEPTANCE: EVIDENCE SUBMITTED

F. STATEMENTS (Continued)

2. Laboratory compliance letter for Test Report no. **HTL-0151-0603-02, HTL-0151-0722-02, HTL-0151-1019-02, & HTL-0151-0205-02**, issued by Hurricane Test Laboratory, Inc., dated 10/16/2002, signed and sealed by Vinu J. Abraham, P.E.
(Submitted under NOA # 05-0921.11)
3. Statement letter of compliance and no financial interest, dated 12/03/2004, signed and sealed by Pedro De Figueiredo, P.E.
(Submitted under NOA # 05-0921.11)
4. Laboratory compliance letter for Test Report no. **HTL-0151-0914-04, HTL-0151-0614-04**, issued by Hurricane Test Laboratory, Inc., dated 08/09/2004 and 09/24/2004, signed and sealed by Vinu J. Abraham, P.E.
(Submitted under NOA # 05-0921.11)

G. OTHER

1. Letter from the consultant, dated 12/08/2005, stating that the product is in compliance with the Florida Building Code.
(Submitted under NOA # 05-0921.11)
2. Notice of Acceptance No. **05-0921.11**, issued to Southeaster Door Company for their "Series "Atlas Plus" Aluminum Sliding Glass Door", approved on 01/26/2006 and expiring on 03/06/2008.



Jaime D. Gascon, P.E.
Chief, Product Control Division
NOA No 08-0213.01
Expiration Date: March 06, 2013
Approval Date: March 20, 2008

INDEX:

- SHEET 1 of 9 - GENERAL NOTES AND COMPONENTS
- SHEET 2 of 9 - ELEVATION AND DESIGN RATING 1200 MODEL
- SHEET 3 of 9 - ELEVATION AND DESIGN RATING 1200A MODEL
- SHEET 4 of 9 - ELEVATION AND DESIGN RATING 3000 MODEL
- SHEET 5 of 9 - ELEVATION AND DESIGN RATING 3000R MODEL
- SHEET 6 of 9 - SECTION DETAILS
- SHEET 7 of 9 - SECTION DETAILS
- SHEET 8 of 9 - GLAZING DETAIL, BILL OF MATERIALS
- SHEET 9 of 9 - CORNER ASSEMBLY AND HARDWARE

GENERAL NOTES:

1- CODE: THIS PRODUCT HAS BEEN TESTED AND DESIGNED IN ACCORDANCE WITH THE FLORIDA BUILDING CODE 2004 INCLUDING THE HIGH VELOCITY HURRICANE ZONE (HVHZ).

2- DEFINITION: THIS PRODUCT IS AN ALUMINUM SLIDING GLASS DOOR NON IMPACT RESISTANT. (APPROVED HURRICANE SHUTTERS MUST BE INSTALLED IN ORDER TO COMPLY WITH IMPACT RESISTANT CRITERIA)

3- POSTING: 'ATLAS PLUS SERIES - NON IMPACT ALUMINUM SLIDING GLASS DOORS SOUTH EASTERN DOOR COMPANY JUPITER - FLORIDA DADE COUNTY PRODUCT CONTROL APPROVED'

4- DESIGN LOADS: THE DESIGNED LOADS MUST BE CALCULATED BY A PROFESSIONAL ARCHITECT OR ENGINEER FOR EACH SPECIFIC PROJECT. THE CALCULATED DESIGNED PRESSURE MUST NOT EXCEED THE ALLOWABLE APPROVED PRESSURE.

5- MATERIAL: ALL ALUMINUM PARTS TO BE 6063-T6 ALLOY OR AS NOTED AND GLAZING TO BE 1/4" TEMPERED GLASS AS SPECIFIED ON THIS APPROVAL.

6- FASTENERS: ASSEMBLY SCREWS AND ANCHORS SHALL BE AS SPECIFIED IN THE CURRENT SET OF DRAWINGS. INSTALLATION AND LOADS AS PER THIS APPROVAL. ANCHOR QUANTITY & SPACING MUST NOT EXCEED THE MAXIMUM LIMITS SPECIFIED BY THIS APPROVAL.

7- USE: IT SHALL BE THE RESPONSIBILITY OF THE CONTRACTOR, ARCHITECT OR ENGINEER OF RECORD TO VERIFY THE FOLLOWING:
 7.1- THE STABILITY OF THE STRUCTURE WHERE THE PRODUCT IS TO BE ATTACHED INSURING PROPER ANCHORAGE.
 7.2- THE SITE SPECIFIC PROJECT CRITERIA, SUCH AS BUT NOT LIMITED TO, LOCAL CODE REQUIREMENTS, DESIGNED PRESSURES ETC.
 7.3- THAT THIS APPROVAL IS ADEQUATE TO THE SPECIFIC PROJECT.

8- 33 1/3% INCREASE IN ALLOWABLE LOADS HAVE NOT BEEN USED IN THE DESIGN OF THE ANCHORS FOR THIS PRODUCT APPROVAL, HOWEVER, WOOD SCREWS WITH 1.33 INCREASE FOR WIND LOAD DURATION HAVE BEEN USED.

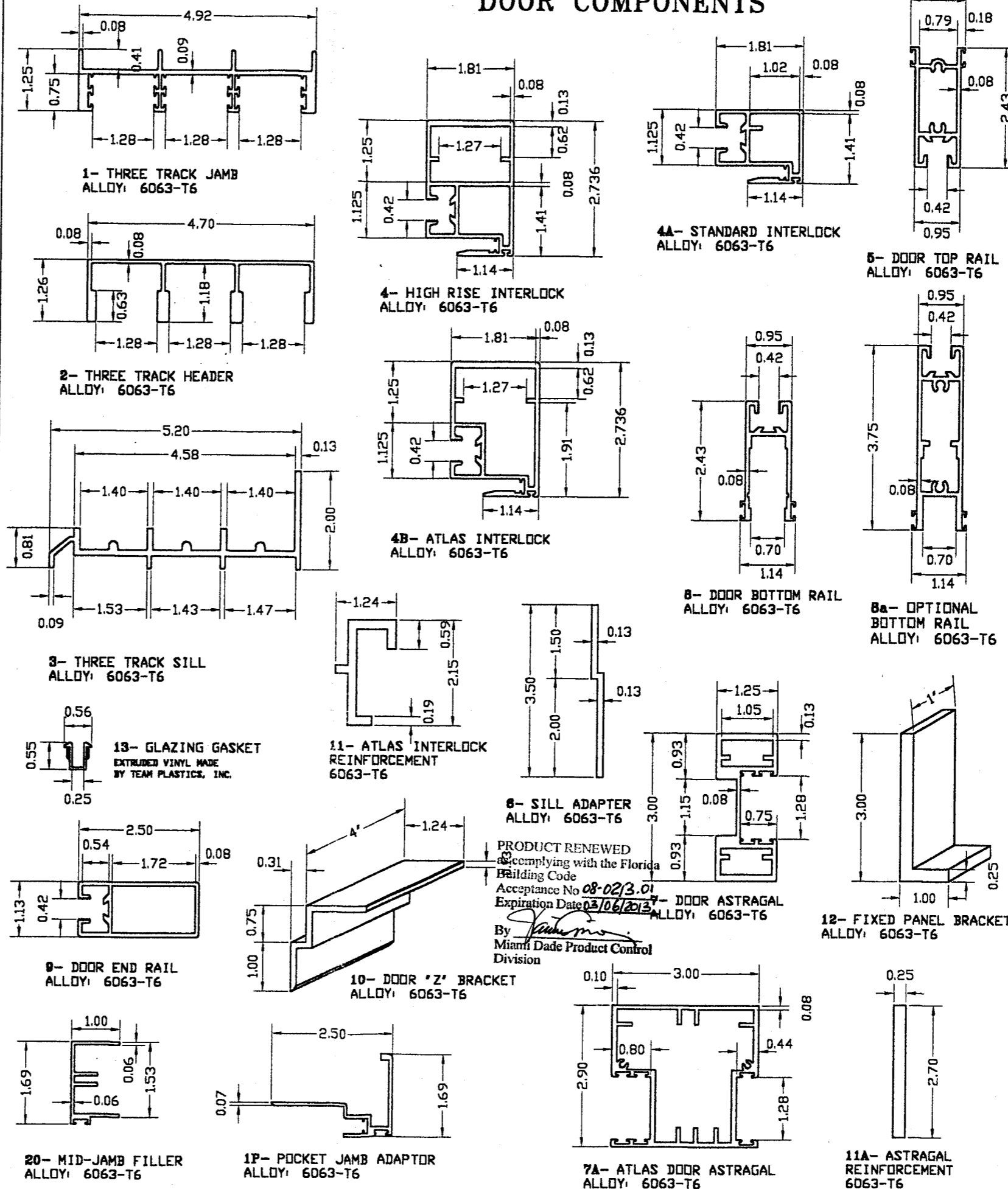
9- DISSIMILAR MATERIALS: MATERIALS, INCLUDING BUT NOT LIMITED TO STEEL, THAT COME IN CONTACT WITH OTHER DISSIMILAR MATERIALS SHALL MEET THE REQUIREMENTS OF 2004 FLORIDA BUILDING CODE SECTION 2003.8.4.

DOOR ALLOWABLE DESIGNED PRESSURES

- MODEL 1200 - SHEET 2 OF 9 - TABLE 1
- MODEL 1200A - SHEET 3 OF 9 - TABLE 1A
- MODEL 3000 - SHEET 4 OF 9 - TABLE 2
- MODEL 3000R - SHEET 5 OF 9 - TABLE 3

REFER EACH MODEL FOR REINFORCEMENT TYPE, ALLOWABLE DESIGNED PRESSURES AND SIZES.

DOOR COMPONENTS



MANUFACTURER:



1505 COMMERCE LANE,
P. O. BOX 794
JUPITER, FLORIDA
33458
PHONE: (561) 746-5493
FAX: (561) 575-1826

PRODUCT: ATLAS PLUS Series

MODELS 1200, 1200A, 3000, 3000R ALUMINUM SLIDING GLASS DOOR

Engineering: EngCo Inc.

CA 8116
6971 W. SUNRISE BLVD. 104
PLANTATION, FL. 33313
TEL: (954) 585-0304
FAX: (954) 585-0305

DEC 06 2005

Engineer Seal
Pedro De Figueiredo
PE 52609

Date: 12/06/05
Scale: NA
Design by: PPMF

PRODUCT CONTROL DIVISION:
PRODUCT RENEWED as complying with the Florida Building Code Acceptance No 05-0921.11 Expiration Date 04/06/2008 By [Signature] Miami Dade Product Control Division

Drawing Number
04-227R2

Sheet
1 of 9

ATLAS PLUS SERIES - 1200 MODEL SLIDING GLASS DOOR

MANUFACTURER:
SE SOUTH EASTERN
 DOOR COMPANY
Manufacturers of Standard and Custom Sliding Doors


1505 COMMERCE LANE,
 P. O. BOX 794
 JUPITER, FLORIDA
 33458
 PHONE: (561) 746-5493
 FAX: (561) 575-1826

PRODUCT:
ATLAS PLUS
 Series

MODELS 1200, 1200A,
 3000, 3000R ALUMINUM
 SLIDING GLASS DOOR

Engineering:
EngCo Inc.

CA 8116
 6971 W. SUNRISE BLVD. 104
 PLANTATION, FL. 33313
 TEL.: (954) 585-0304
 FAX.: (954) 585-0305

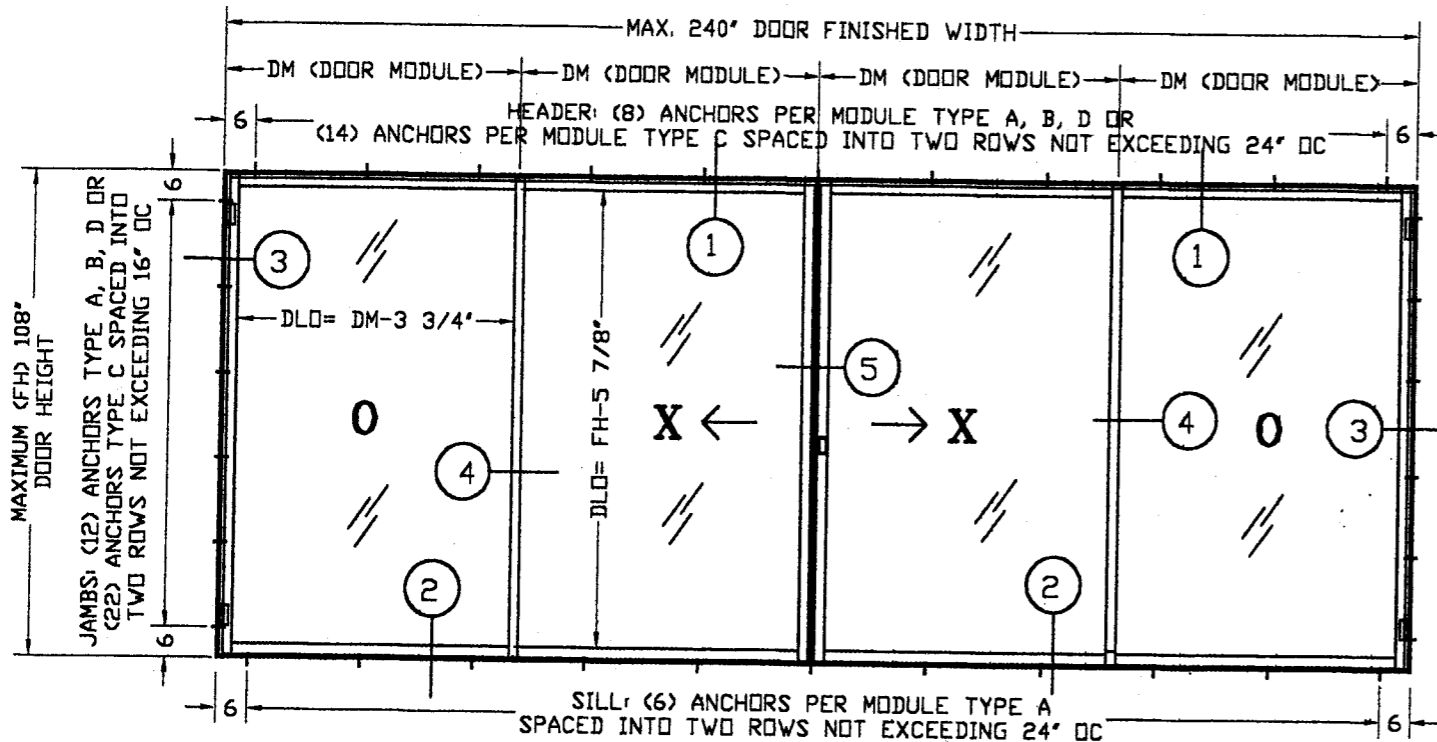

DEC 06 2005
 Engineer Seal
 Pedro De Figueredo
 PE 52609

Date: 12/06/05
 Scale: NA
 Design by: PPMF

PRODUCT CONTROL DIVISION:
PRODUCT REVISED
 as complying with the Florida
 Building Code
 Acceptance No 05-0921.11
 Expiration Date 04/06/08
M. Shanks
 Miami Dade Product Control
 Division

Drawing Number
04-227R2

Sheet
 2 of 9

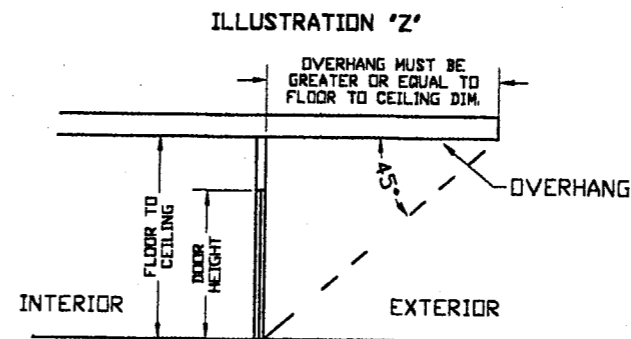


- ANCHOR TYPES:**
 A- 1/4" TAPCON BY ELCO WITH 1 3/4" MIN. EMBED. INTO 3350 PSI CONCRETE
 B- 1/4" TAPCON BY ELCO WITH 1 1/4" MIN. EMBED. INTO 3350 PSI CONCRETE
 C- #10 SS WOOD SCREWS WITH 1 1/2" MIN. EMBED. INTO PT WOOD (SG) = .55
 D- #12-14 HWH #3 DRILFLEX BY ELCO INTO 1/8" MIN. A36 STEEL
 E- #12-14 HWH #3 DRILFLEX BY ELCO INTO 1/8" 6063-T6 ALUMINUM

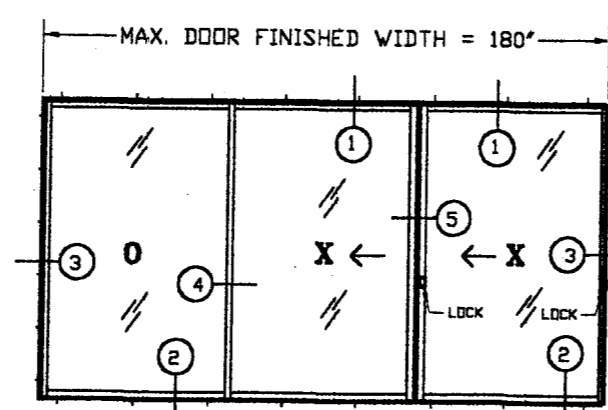
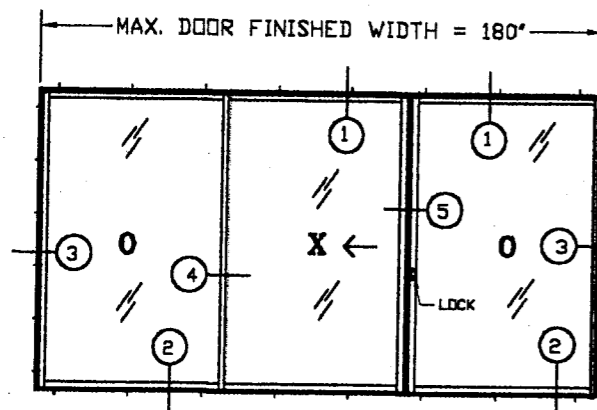
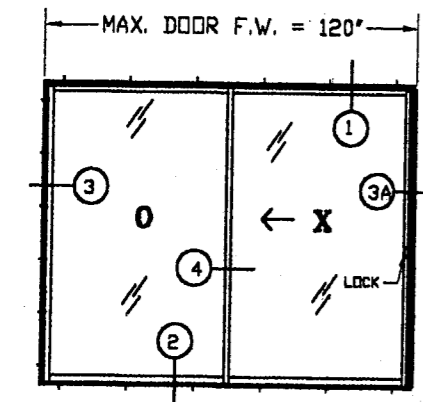
TABLE 1 - 1200 MODEL
ALLOWABLE DESIGNED PRESSURES (Psf)

FH	DOOR MODULE (INCHES)				
	36	42	48	54	60
80	-100, +50	-85, +50	-75, +50	-66, +50	-60, +50
84	-95, +50	-81, +50	-71, +50	-63, +50	-57, +50
88	-90, +50	-77, +50	-68, +50	-60, +50	-54, +50
92	-86, +50	-74, +50	-65, +50	-57, +50	-52, +50
96	-83, +50	-71, +50	-62, +50	-55, +50	-50, +50
108	-52, +50	-44, +44	-39, +39	NA	NA

NOTES:
 1- FH AND DM ARE IN INCHES
 2- DESIGNED PRESSURES ARE IN PSF
 3- IN AREAS WHERE THE DOOR DESIGN IS NOT LIMITED BY WATER INFILTRATION, USE FOR POSITIVE THE NEGATIVE PRESSURE VALUE. SEE ILLUSTRATION 'Z'.



ALTERNATE CONFIGURATIONS



PRODUCT RENEWED
 as complying with the Florida
 Building Code
 Acceptance No 08-0213.01
 Expiration Date 03/06/2013
[Signature]
 Miami Dade Product Control
 Division

ATLAS PLUS SERIES - 1200A MULTI-PANEL POCKET MODEL SLIDING GLASS DOOR

MANUFACTURER:
SE SOUTH EASTERN
DOOR COMPANY
Manufacturers of Standard and Custom Sliding Doors

1505 COMMERCE LANE,
 P. O. BOX 794
 JUPITER, FLORIDA
 33458
 PHONE: (561) 746-5493
 FAX: (561) 575-1826

PRODUCT:
ATLAS PLUS
Series

MODELS 1200, 1200A,
 3000, 3000R ALUMINUM
 SLIDING GLASS DOOR

Engineering:
EngCo Inc.

CA 8116
 6971 W. SUNRISE BLVD. 104
 PLANTATION, FL. 33313
 TEL.: (954) 585-0304
 FAX.: (954) 585-0305

[Signature]
DEC 06 2005
 Engineer Seal
 Pedro De Figueiredo
 PE 52609

Date: 12/06/05
 Scale: NA
 Design by: PPMF

PRODUCT CONTROL DIVISION:
PRODUCT REVISED
 as complying with the Florida
 Building Code
 Acceptance No 05-0921.11
 Expiration Date 04/06/08
[Signature]
 Miami Dade Product Control
 Division

Drawing Number
04-227R2

Sheet
 3 of 9

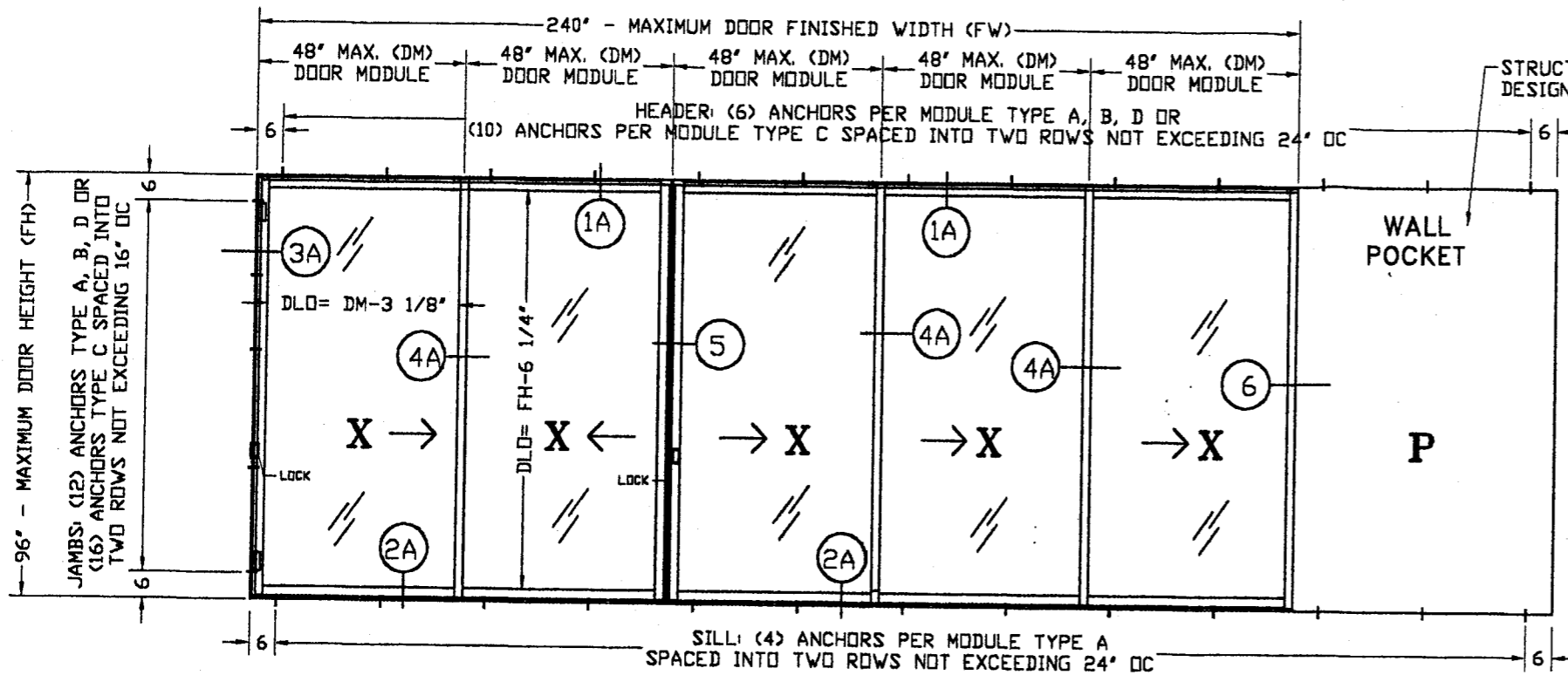
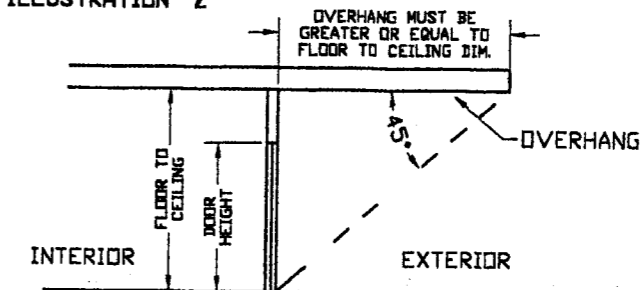


TABLE 1A - 1200A MODEL
ALLOWABLE DESIGNED PRESSURES (Psf)

FH	DOOR MODULE (INCHES)		
	36	42	48
80	-80, +60*	-67, +60*	-50, +50*
84	-75, +60*	-65, +60*	-50, +50*
88	-70, +60*	-62, +60*	-50, +50*
92	-66, +60*	-59, +59*	-50, +50*
96	-63, +60*	-55, +55*	-50, +50*

NOTES:
 1- FH AND DM ARE IN INCHES
 2- DESIGNED PRESSURES ARE IN PSF
 3- IN AREAS WHERE THE DOOR DESIGN IS NOT LIMITED BY WATER INFILTRATION, USE FOR POSITIVE THE NEGATIVE PRESSURE VALUE. SEE ILLUSTRATION "Z". (SILL ADAPTER IS NOT REQUIRED)
 4- (*) SILL ADAPTOR NOT REQUIRED FOR PRESSURES LESS OR EQUAL TO +40 PSF.

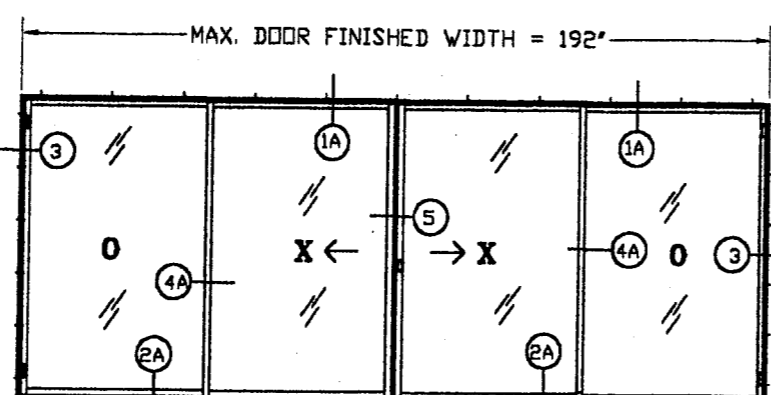
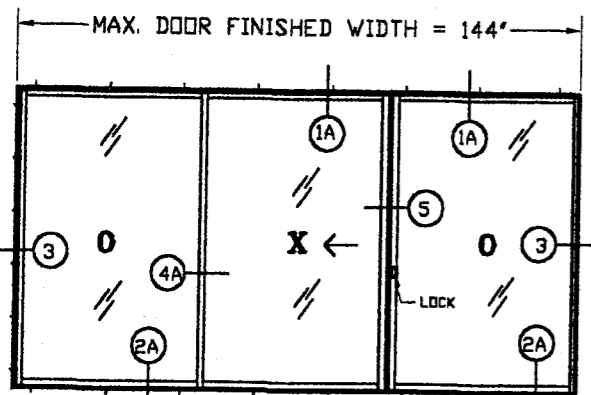
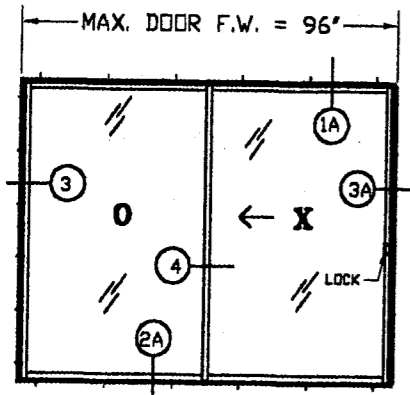
ILLUSTRATION "Z"



ANCHOR TYPES:
 A- 1/4" TAPCON BY ELCO WITH 1 3/4" MIN. EMBED. INTO 3350 PSI CONCRETE
 B- 1/4" TAPCON BY ELCO WITH 1 1/4" MIN. EMBED. INTO 3350 PSI CONCRETE
 C- #10 SS WOOD SCREWS WITH 1 1/2" MIN. EMBED. INTO PT WOOD (SG=, 55)
 D- #12-14 HWH #3 DRILFLEX BY ELCO INTO 1/8" MIN. A36 STEEL
 E- #12-14 HWH #3 DRILFLEX BY ELCO INTO 1/8" 6063-T6 ALUMINUM

ALTERNATE CONFIGURATIONS

NOT SHOWN ALTERNATE CONFIGURATIONS
 2 PANELS - XX OXP XXP PXXP - FW=96"
 3 PANELS - XXX OXX XXXP OXXP PXXXP - FW=144"
 4 PANELS - XXXX OXXX XXXXP OXXXP PXXXXP - FW=192"
 5 PANELS - XXXXX OXXXX OXXXXP PXXXXXP - FW=240"
 6 PANELS - XXXXXX OXXXXO - FW=240"



PRODUCT RENEWED
 as complying with the Florida
 Building Code
 Acceptance No 08-0213.01
 Expiration Date 03/06/2013
 By *[Signature]*
 Miami Dade Product Control
 Division

ATLAS PLUS SERIES - 3000 MODEL SLIDING GLASS DOOR

MANUFACTURER:
SE SOUTH EASTERN
DOOR COMPANY
Manufacturers of Standard and Custom Sliding Doors

1505 COMMERCE LANE,
 P. O. BOX 794
 JUPITER, FLORIDA
 33458
 PHONE: (561) 746-5493
 FAX: (561) 575-1826

PRODUCT:
ATLAS PLUS
Series

MODELS 1200, 1200A,
 3000, 3000R ALUMINUM
 SLIDING GLASS DOOR

Engineering:
EngCo Inc.
 CA 8116
 6971 W. SUNRISE BLVD. 104
 PLANTATION, FL. 33313
 TEL: (954) 585-0304
 FAX: (954) 585-0305

[Signature]
DEC 06 2005
 Engineer Seal
 Pedro De Figueiredo
 PE 52609

Date: 12/06/05
 Scale: NA
 Design by: PPMF

PRODUCT CONTROL DIVISION:
PRODUCT REVISED
 as complying with the Florida
 Building Code
 Acceptance No. 05-0921.11
 Expiration Date 04/06/08
[Signature]
 Miami Dade Product Control
 Division

Drawing Number
04-227R2

Sheet
 4 of 9

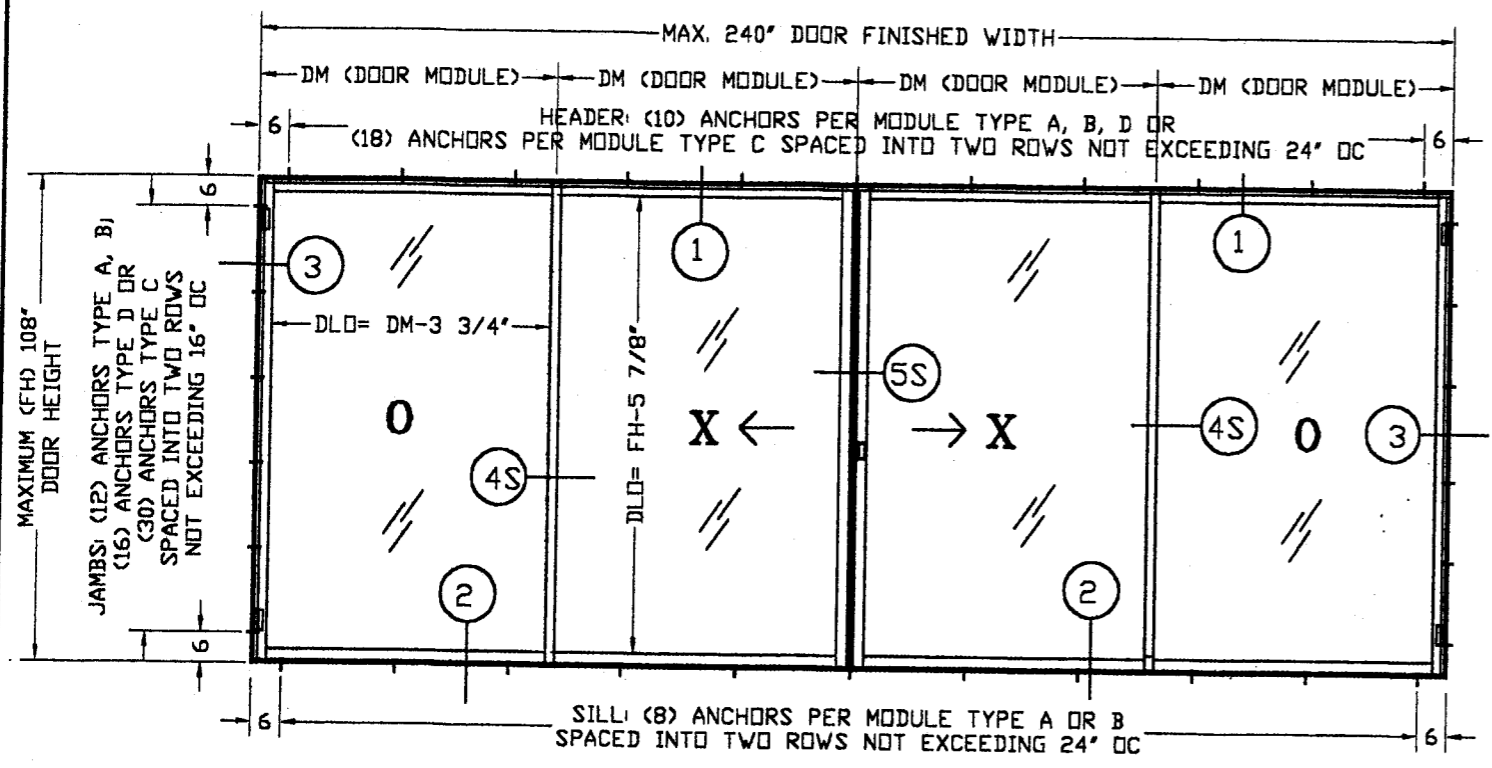
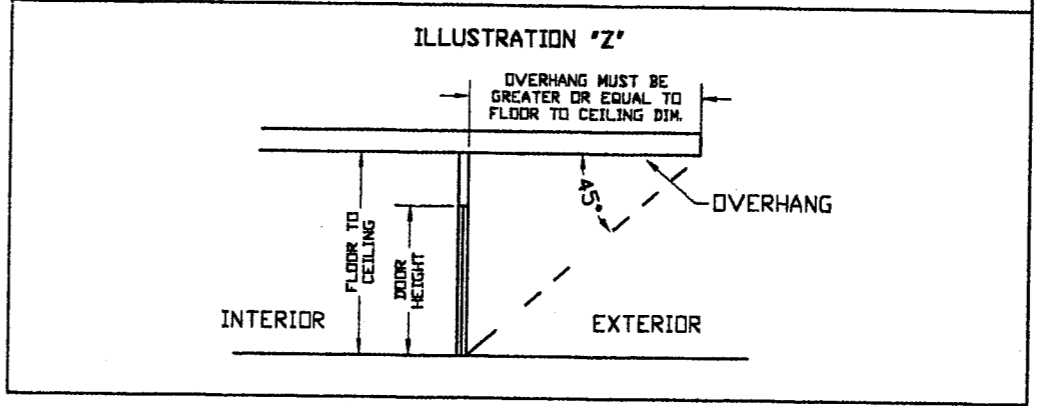


TABLE 2- 3000 MODEL
ALLOWABLE DESIGNED PRESSURES (Psf)

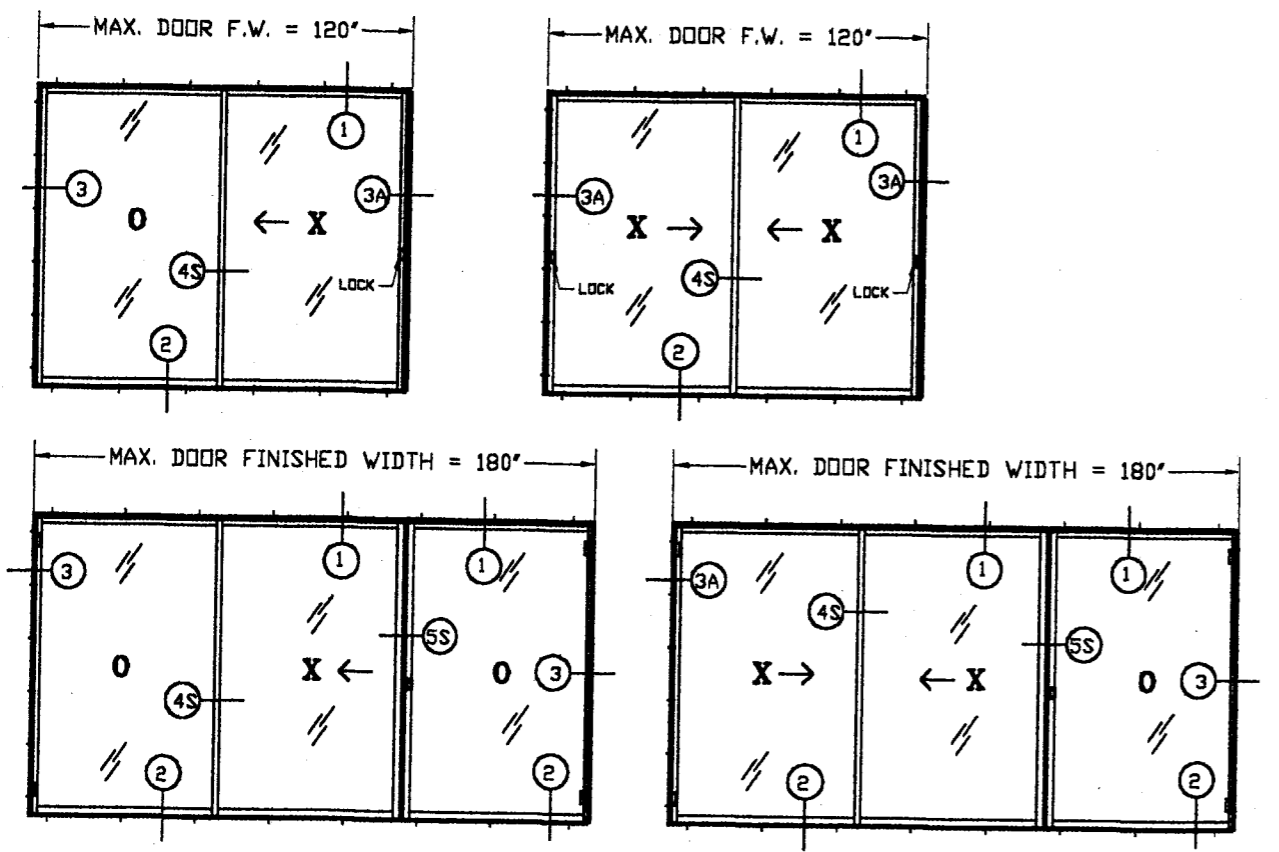
FH	DOOR MODULE (INCHES)				
	36	42	48	54	60
80	-135, +50/70	-116, +50/70	-101, +50/70	-90, +50/70	-81, +50/70
84	-129, +50/70	-110, +50/70	-96, +50/70	-86, +50/70	-77, +50/70
88	-123, +50/70	-105, +50/70	-92, +50/70	-82, +50/70	-74, +50/70
92	-117, +50/70	-101, +50/70	-88, +50/70	-78, +50/70	-70, +50/70
96	-113, +50/70	-96, +50/70	-84, +50/70	-75, +50/70	-68, +50/68
108	-100, +50/70	-84, +50/70	-72, +50/70	-67, +50/67	-60, +50/60

NOTES:
 1- FH AND DM ARE IN INCHES
 2- DESIGNED PRESSURES ARE IN PSF
 3- THE HIGHER POSITIVE PRESSURE ARE FOR DOORS WITH THE SILL ADAPTOR PART #6 (DETAIL 2).
 4- IN AREAS WHERE THE DOOR DESIGN IS NOT LIMITED BY WATER INFILTRATION, USE FOR POSITIVE THE NEGATIVE PRESSURE VALUE. SEE ILLUSTRATION "Z"



ANCHOR TYPES:
 A- 1/4" TAPCON BY ELCO WITH 1 3/4" MIN. EMBED. INTO 3350 psi CONCRETE
 B- 1/4" TAPCON BY ELCO WITH 1 1/4" MIN. EMBED. INTO 3350 psi CONCRETE
 C- #10 SS WOOD SCREWS WITH 1 1/2" MIN. EMBED. INTO PT WOOD (SG)=.55)
 D- #12-14 HWH #3 DRILFLEX BY ELCO INTO 1/8" MIN. A36 STEEL
 D- #12-14 HWH #3 DRILFLEX BY ELCO INTO 1/8" 6063-T6 ALUMINUM

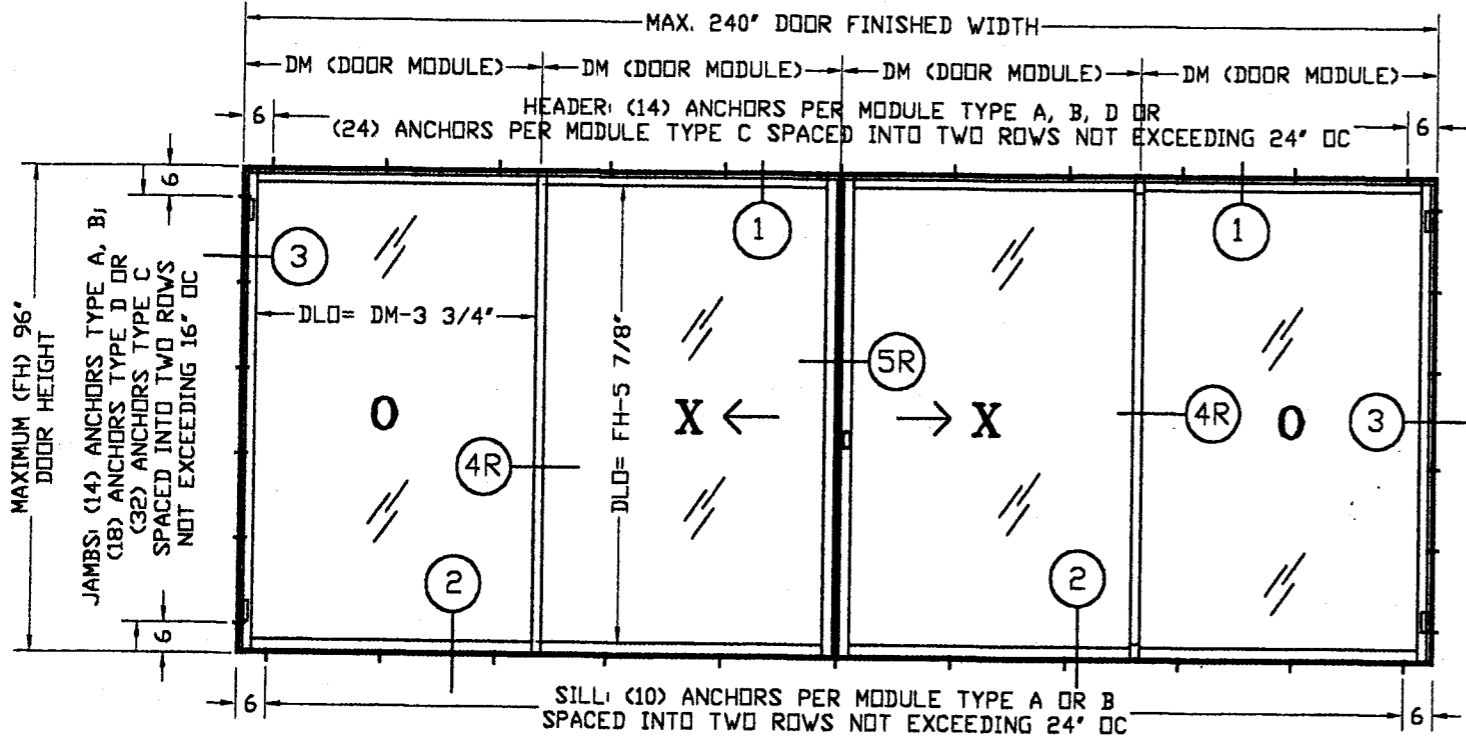
ALTERNATE CONFIGURATIONS



NOT SHOWN ALTERNATE CONFIGURATIONS
 3 PANELS - XXX - FW<=180'
 4 PANELS - XXXX, XXXX - FW<=240'
 5 PANELS - XXXXX DXXXX - FW<= 240'
 6 PANELS - XXXXXX DXXXXX - FW<= 240'

PRODUCT RENEWED
 as complying with the Florida
 Building Code
 Acceptance No. 08-0213.01
 Expiration Date 03/06/2013
[Signature]
 Miami Dade Product Control
 Division

ATLAS PLUS SERIES - 3000R WITH REINFORCEMENT MODEL SLIDING GLASS DOOR

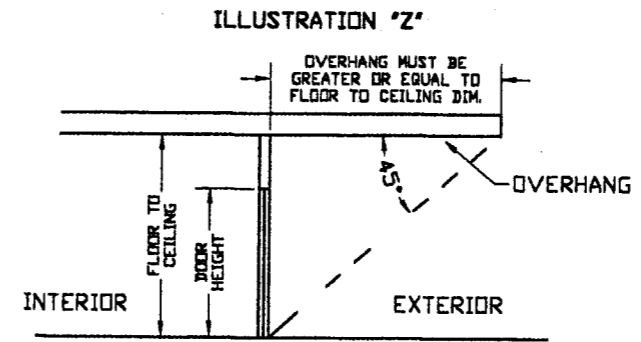


ANCHOR TYPES:
 A- 1/4" TAPCON BY ELCO WITH 1 3/4" MIN. EMBED. INTO 3350 PSI CONCRETE
 B- 1/4" TAPCON BY ELCO WITH 1 1/4" MIN. EMBED. INTO 3350 PSI CONCRETE
 C- #10 SS WOOD SCREWS WITH 1 1/2" MIN. EMBED. INTO PT WOOD (SG=, 55)
 D- #12-14 HWH #3 DRILFLEX BY ELCO INTO 1/8" MIN. A36 STEEL
 D- #12-14 HWH #3 DRILFLEX BY ELCO INTO 1/8" 6063-T6 ALUMINUM

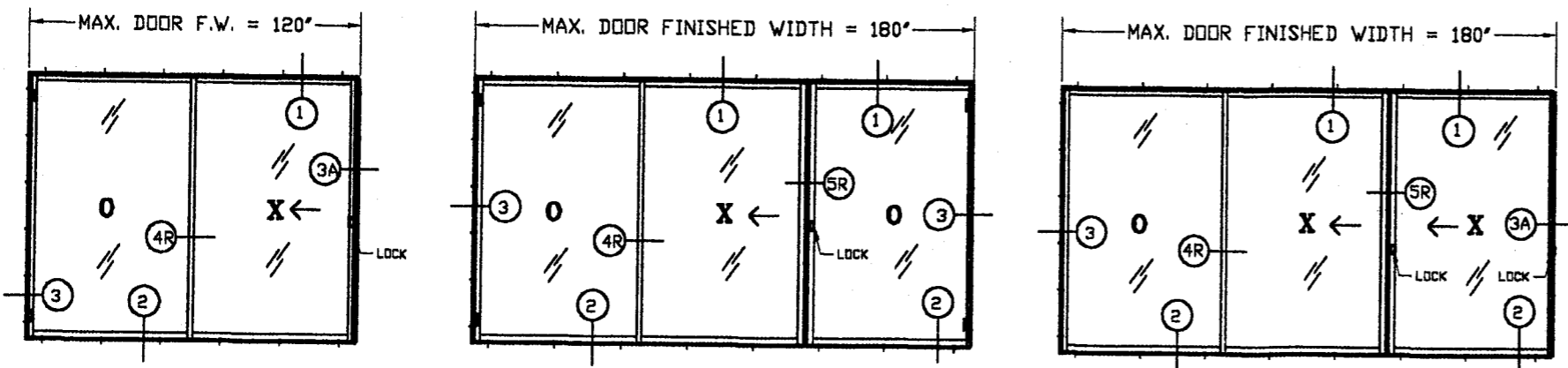
**TABLE 3 - 3000R MODEL
 ALLOWABLE DESIGNED PRESSURES (Psf)**

FH	DOOR MODULE (INCHES)				
	36	42	48	54	60
80	-158, +50/90	-135, +50/90	-125, +50/90	-113, +50/90	-90, +50/90
84	-144, +50/90	-125, +50/90	-118, +50/90	-113, +50/90	-90, +50/90
88	-136, +50/90	-115, +50/90	-107, +50/90	-107, +50/90	-90, +50/90
92	-129, +50/90	-107, +50/90	-97, +50/90	-97, +50/90	-90, +50/90
96	-123, +50/90	-100, +50/90	-90, +50/90	-90, +50/90	-90, +50/90

NOTES:
 1- FH AND DM ARE IN INCHES
 2- DESIGNED PRESSURES ARE IN PSF
 3- THE HIGHER POSITIVE PRESSURES ARE FOR DOORS WITH THE SILL ADAPTOR PART #6 (DETAIL 2).
 4- IN AREAS WHERE THE DOOR DESIGN IS NOT LIMITED BY WATER INFILTRATION, USE FOR POSITIVE THE NEGATIVE PRESSURE VALUE. SEE ILLUSTRATION 'Z'



ALTERNATE CONFIGURATIONS



ALTERNATE CONFIGURATIONS

NOT SHOWN ALTERNATE CONFIGURATIONS
 2 PANELS - XX - FW<=120'
 3 PANELS - XXX XXD - FW<=180'
 4 PANELS - XXXD XXXX - FW<=240'
 5 PANELS - XXXXX DXXXX - FW<= 240'
 6 PANELS - XXXXXX DXXXXD - FW<= 240'

PRODUCT RENEWED
 as complying with the Florida
 Building Code
 Acceptance No 08-0213.01
 Expiration Date 03/06/2013
 By *[Signature]*
 Miami Dade Product Control
 Division

MANUFACTURER:
SE SOUTH EASTERN DOOR COMPANY
 Manufacturers of Standard and Custom Sliding Doors

1505 COMMERCE LANE,
 P. O. BOX 794
 JUPITER, FLORIDA
 33458
 PHONE: (561) 746-5493
 FAX: (561) 575-1826

PRODUCT:
ATLAS PLUS Series

MODELS 1200, 1200A,
 3000, 3000R ALUMINUM
 SLIDING GLASS DOOR

Engineering:
EngCo Inc.

CA 8116
 6971 W. SUNRISE BLVD. 104
 PLANTATION, FL. 33313
 TEL: (954) 585-0304
 FAX: (954) 585-0305

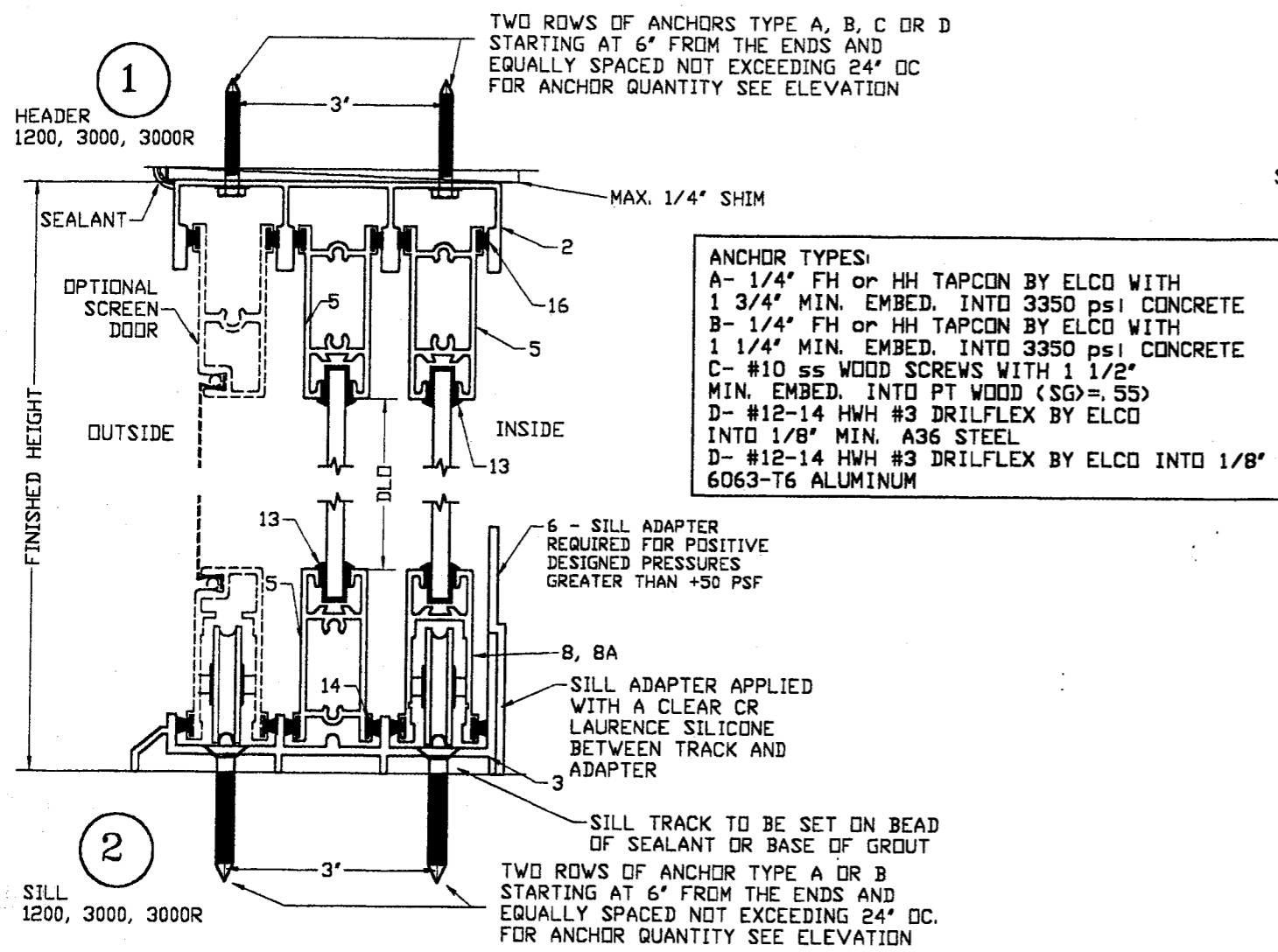
[Signature]
DEC 06 2005
 Engineer Seal
 Pedro De Figuerado
 PE 52809

Date: 12/06/05
 Scale: NA
 Design by: PPMF

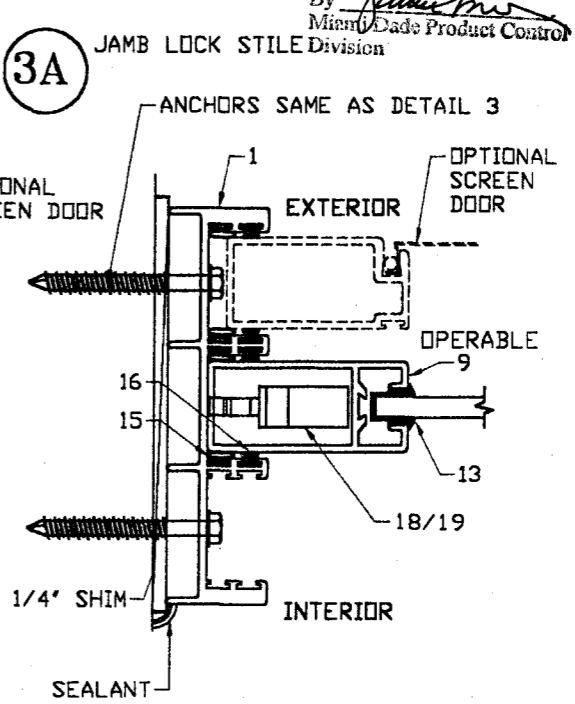
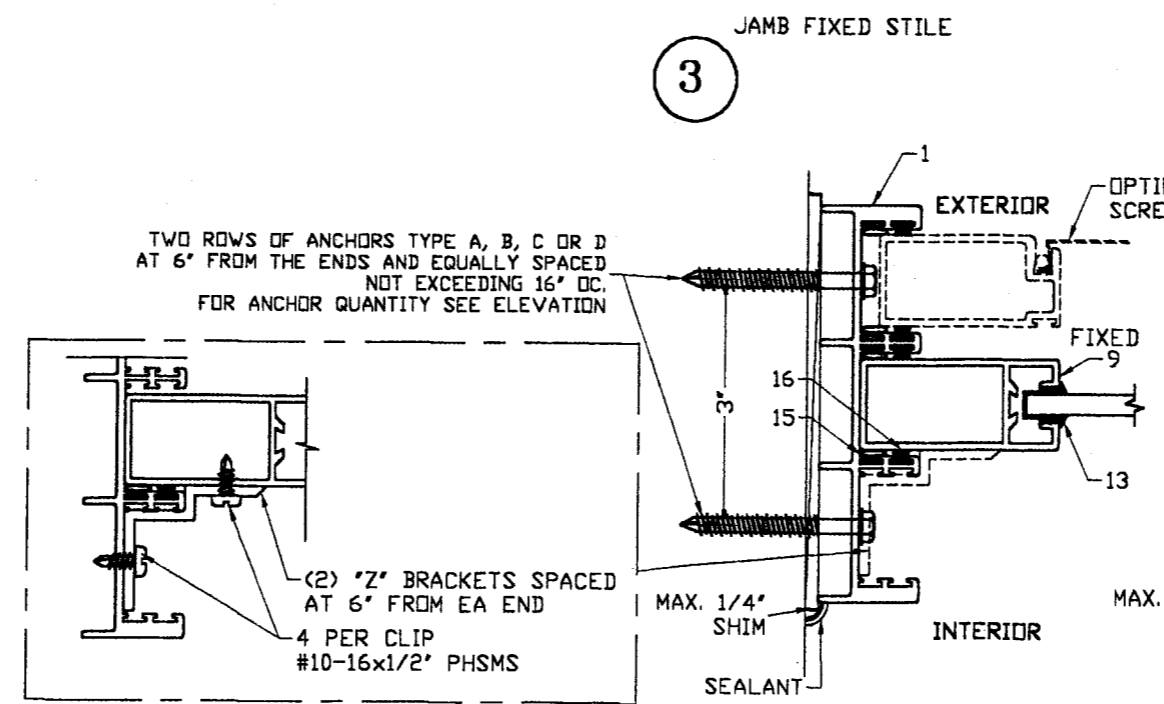
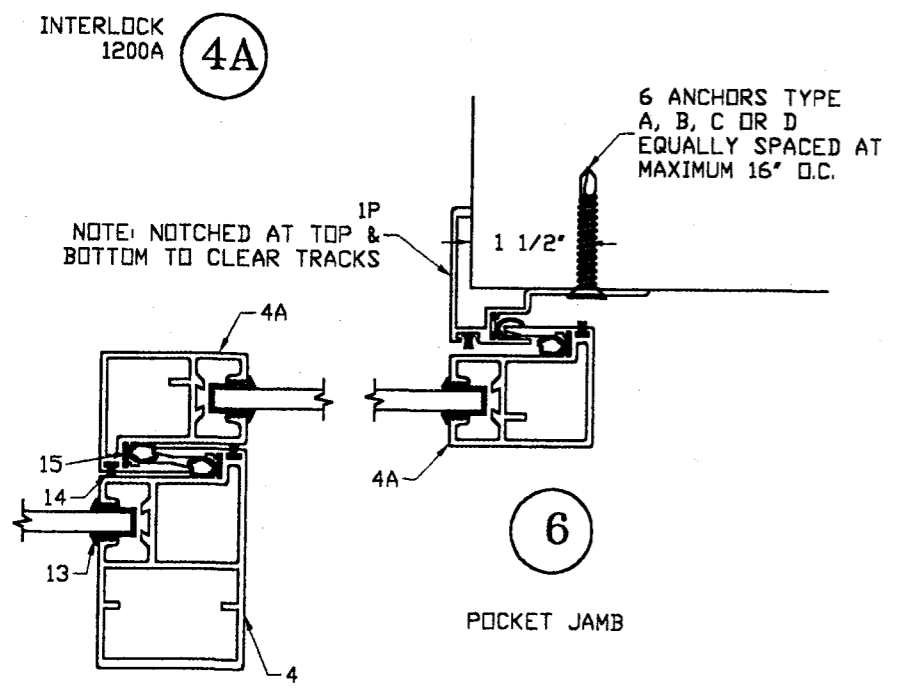
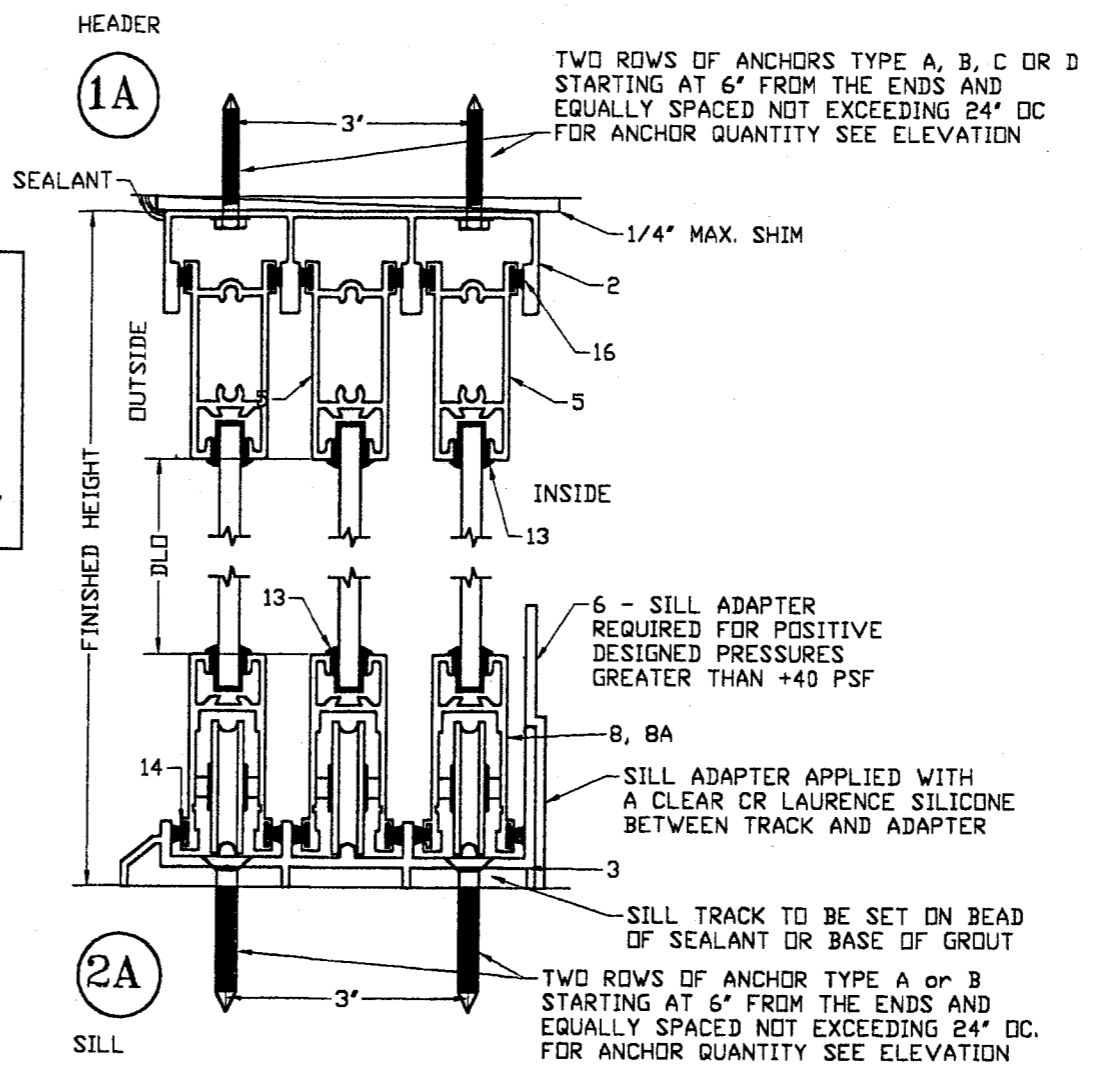
PRODUCT CONTROL DIVISION:
PRODUCT REVIEWED
 as complying with the Florida
 Building Code
 Acceptance No 05-0921.11
 Expiration Date 04/06/08
[Signature]
 Miami Dade Product Control
 Division

Drawing Number
04-227R2

Sheet
 5 of 9



ANCHOR TYPES:
 A- 1/4" FH or HH TAPCON BY ELCO WITH 1 3/4" MIN. EMBED. INTO 3350 PSI CONCRETE
 B- 1/4" FH or HH TAPCON BY ELCO WITH 1 1/4" MIN. EMBED. INTO 3350 PSI CONCRETE
 C- #10 ss WOOD SCREWS WITH 1 1/2" MIN. EMBED. INTO PT WOOD (SG)=.55)
 D- #12-14 HWH #3 DRILFLEX BY ELCO INTO 1/8" MIN. A36 STEEL
 D- #12-14 HWH #3 DRILFLEX BY ELCO INTO 1/8" 6063-T6 ALUMINUM



PRODUCT RENEWED as complying with the Florida Building Code
 Acceptance No. 08-0213.01
 Expiration Date 03/06/2013
 By *[Signature]*
 Miami Dade Product Control Division

MANUFACTURER:
S E SOUTH EASTERN DOOR COMPANY
 Manufacturers of Standard and Custom Sliding Doors
 1505 COMMERCE LANE,
 P. O. BOX 794
 JUPITER, FLORIDA
 33458
 PHONE: (561) 746-5493
 FAX: (561) 575-1826

PRODUCT:
ATLAS PLUS Series
 MODELS 1200, 1200A,
 3000, 3000R ALUMINUM
 SLIDING GLASS DOOR

Engineering:
EngCo Inc.
 CA 8116
 6971 W. SUNRISE BLVD. 104
 PLANTATION, FL. 33313
 TEL: (954) 585-0304
 FAX: (954) 585-0305

[Signature]
DEC 06 2005
 Engineer Seal
 Pedro De Figueredo
 PE 52609

Date: 12/06/05
 Scale: NA
 Design by: PPMF

PRODUCT CONTROL DIVISION:
 PRODUCT REVIEWED as complying with the Florida Building Code
 Acceptance No. 05-0921.11
 Expiration Date 09/06/08
 By *[Signature]*
 Miami Dade Product Control Division

Drawing Number
04-227R2

Sheet
 6 of 9

MANUFACTURER:
S E SOUTH EASTERN
 DOOR COMPANY
 Manufacturers of Standard and Custom Sliding Doors

1505 COMMERCE LANE,
 P. O. BOX 794
 JUPITER, FLORIDA
 33458
 PHONE: (561) 746-5493
 FAX: (561) 575-1826

PRODUCT:
ATLAS PLUS
 Series

MODELS 1200, 1200A,
 3000, 3000R ALUMINUM
 SLIDING GLASS DOOR

Engineering:
EngCo Inc.

CA 8116
 6971 W. SUNRISE BLVD. 104
 PLANTATION, FL. 33313
 TEL: (954) 585-0304
 FAX: (954) 585-0305

DEC 06 2005

Engineer Seal
 Pedro De Figueiredo
 PE 52609

Date: 12/06/05
 Scale: NA
 Design by: PPMF

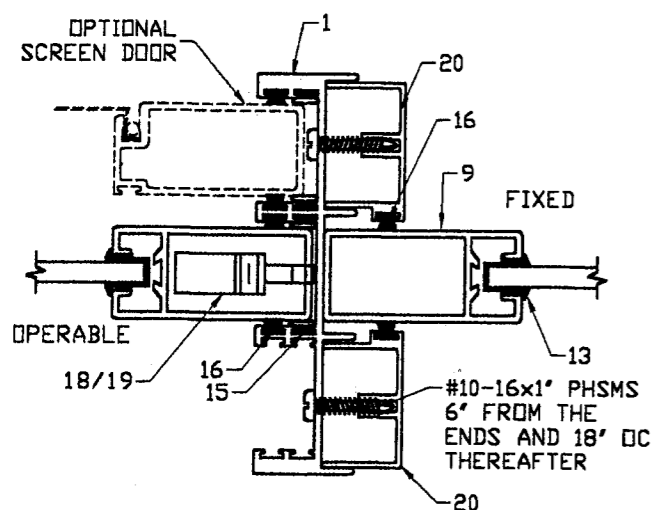
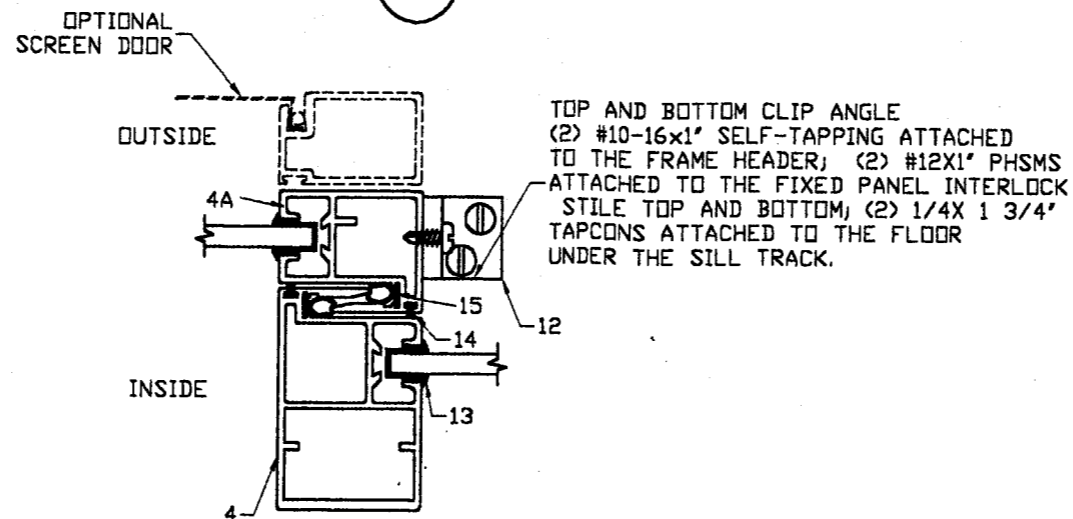
PRODUCT CONTROL DIVISION:

PRODUCT REVISED
 as complying with the Florida
 Building Code
 Acceptance No 05-0921.11
 Expiration Date 04/06/08
 By *M. Stank*
 Miami Dade Product Control
 Division

Drawing Number
 04-227R2

Sheet
 7 of 9

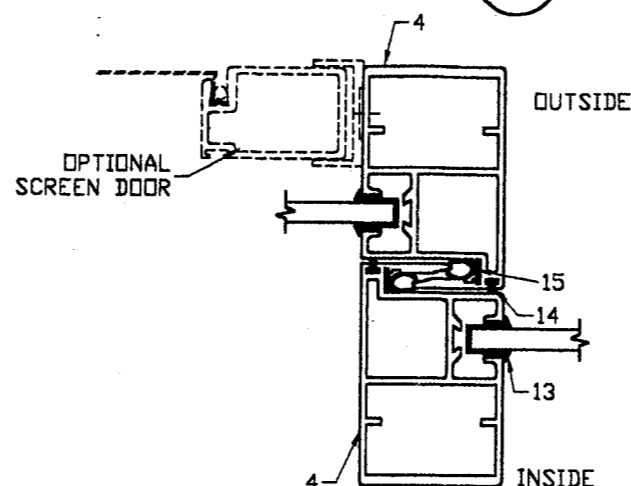
4 INTERLOCK
 1200



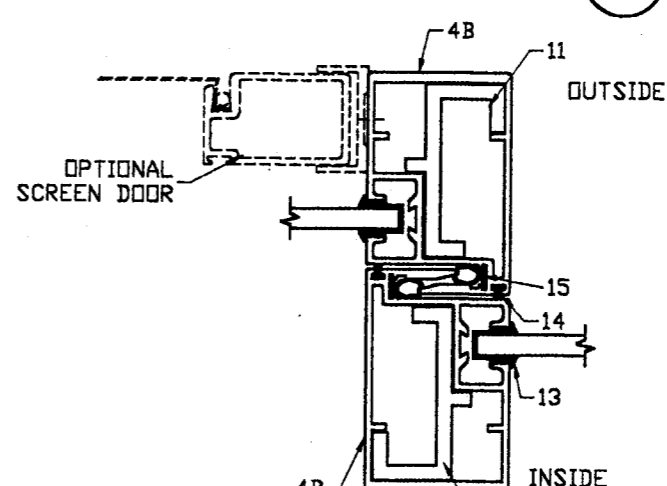
5x OPTIONAL MID-JAMB

DETAIL 5x - MID-JAMB NOTES:
 1- APPLICABLE ONLY FOR 3000 & 3000R TYPE DOOR
 2- THIS JAMB IS NOTCHED AT BOTH ENDS AND INSERTED BETWEEN THE HEADER AND SILL TRACKS, AND IS MECHANICALLY ATTACHED TO EITHER END WITH (2) 1/8-1X1X1 CLIP ANGLES. CLIP ANGLES IS INSTALLED TO JAMB, SILL AND HEADER WITH (2) #10X1 SMS ON EACH CLIP LEG.

4S INTERLOCK
 3000

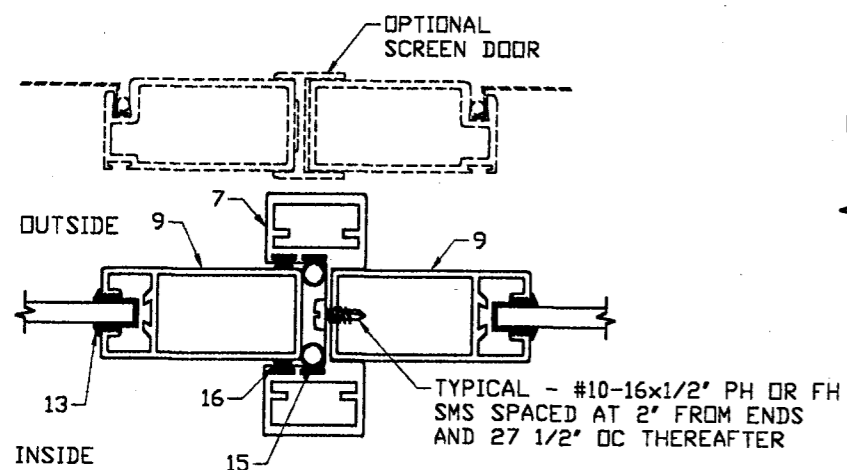


4R INTERLOCK
 3000R

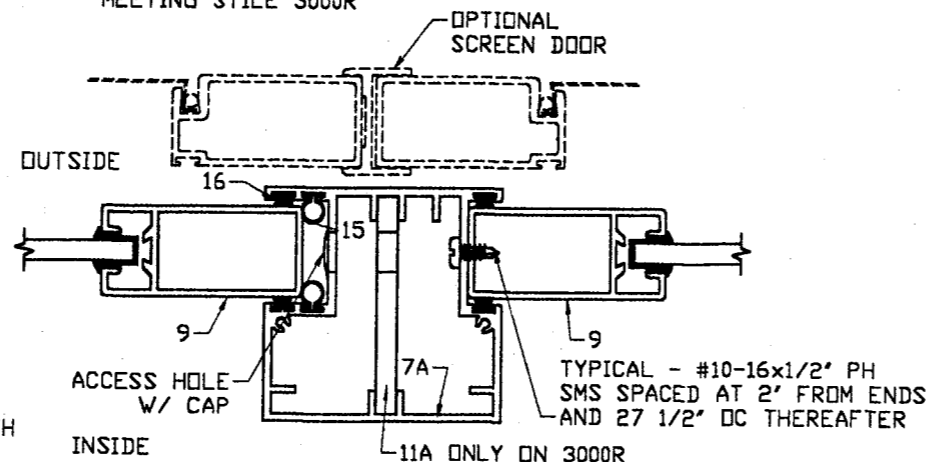


PRODUCT RENEWED
 as complying with the Florida
 Building Code
 Acceptance No 08-0213.01
 Expiration Date 03/06/2013
 By *Juan P. ...*
 Miami Dade Product Control
 Division

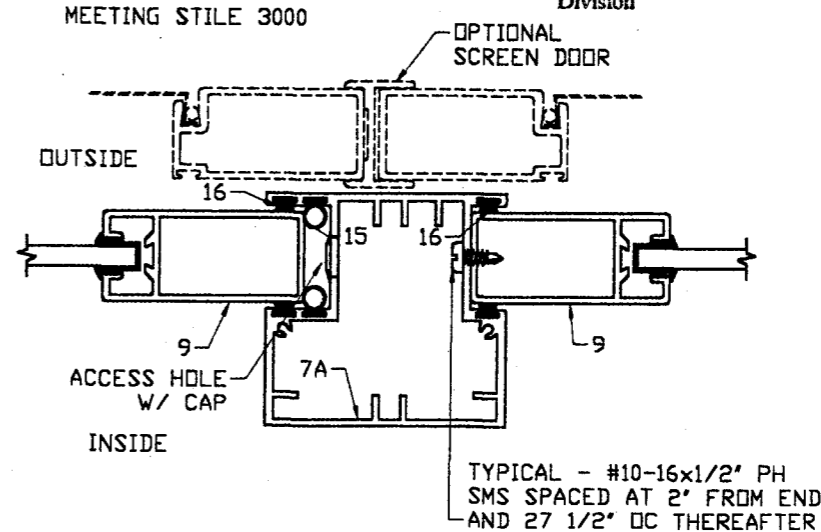
5 MEETING STILE 1200, 1200A



5R MEETING STILE 3000R



5S MEETING STILE 3000



BILL OF MATERIALS:			
#	DESCRIPTION	MATERIAL	SUPPLIER
1	THREE TRACK JAMB	ALUMINUM 6063-T6	SOUTHEASTERN DOOR COMPANY
1P	POCKET JAMB ADAPTER	ALUMINUM 6063-T6	SOUTHEASTERN DOOR COMPANY
2	THREE TRACK HEADER	ALUMINUM 6063-T6	SOUTHEASTERN DOOR COMPANY
3	THREE TRACK SILL	ALUMINUM 6063-T6	SOUTHEASTERN DOOR COMPANY
4	HIGH RISE INTERLOCK	ALUMINUM 6063-T6	SOUTHEASTERN DOOR COMPANY
4A	STANDARD INTERLOCK	ALUMINUM 6063-T6	SOUTHEASTERN DOOR COMPANY
4B	ATLAS INTERLOCK	ALUMINUM 6063-T6	SOUTHEASTERN DOOR COMPANY
5	DOOR TOP RAIL	ALUMINUM 6063-T6	SOUTHEASTERN DOOR COMPANY
6	SILL ADAPTER	ALUMINUM 6063-T6	SOUTHEASTERN DOOR COMPANY
7	DOOR ASTRAGAL	ALUMINUM 6063-T6	SOUTHEASTERN DOOR COMPANY
7A	ATLAS DOOR ASTRAGAL	ALUMINUM 6063-T6	SOUTHEASTERN DOOR COMPANY
8	DOOR BOTTOM RAIL	ALUMINUM 6063-T6	SOUTHEASTERN DOOR COMPANY
8A	OPTIONAL DOOR BOTTOM RAIL	ALUMINUM 6063-T6	SOUTHEASTERN DOOR COMPANY
9	DOOR END RAIL	ALUMINUM 6063-T6	SOUTHEASTERN DOOR COMPANY
10	DOOR 'Z' BRACKET	ALUMINUM 6063-T6	SOUTHEASTERN DOOR COMPANY
11	ATLAS INTERLOCK REINF.	ALUMINUM 6063-T6	SOUTHEASTERN DOOR COMPANY
11A	ASTRAGAL REINFORCEMENT	ALUMINUM 6063-T6	SOUTHEASTERN DOOR COMPANY
12	FIXED PANEL BRACKET	ALUMINUM 6063-T6	SOUTHEASTERN DOOR COMPANY
13	GLAZING GASKET	EXTRUDED VINYL	TEAM PLASTIC
14	1/4" PILE WEATHER-STRIP	PILE W3426BNG	ULTRAFAB
15	.290X.242 BULB VINYL	TEAM PLASTICS # 191	TEAM PLASTIC
16	3/16" PILE WEATHER-STRIP	PILE W31155BNG	ULTRAFAB
17	1 11/16" DIAM. ROLLER	ROLLER #P155SS	SAUNDERS ENGINEERING CORP.
17A	2X 1 11/16" DIAM. ROLLER	ROLLER #1000-166BNSS	BUILDERS HARDWARE INC.
18	DEADLOCK	SERIES MS1847	ADAMS RITE
19	LATCH STRIKE PLATE	LATCH MS1847	ADAMS RITE
18A	MULTIPONT MORTISE LOCK	991	SASH CONTROLS
19A	LATCH STRIKE PLATE	2470	SASH CONTROLS
20	MID-JAMB FILLER	ALUMINUM 6063-T6	SOUTHEASTERN DOOR COMPANY

MANUFACTURER:
SE SOUTH EASTERN
 DOOR COMPANY
Manufacturers of Standard and Custom Sliding Doors

1505 COMMERCE LANE,
 P. O. BOX 794
 JUPITER, FLORIDA
 33458
 PHONE: (561) 746-5493
 FAX: (561) 575-1826

PRODUCT:
ATLAS PLUS
 Series

MODELS 1200, 1200A,
 3000, 3000R ALUMINUM
 SLIDING GLASS DOOR

Engineering:
EngCo Inc.
 CA 8116
 6971 W. SUNRISE BLVD. 104
 PLANTATION, FL. 33313
 TEL.: (954) 585-0304
 FAX.: (954) 585-0305

H

DEC 06 2005

Engineer Seal
 Pedro De Figueiredo
 PE 52609

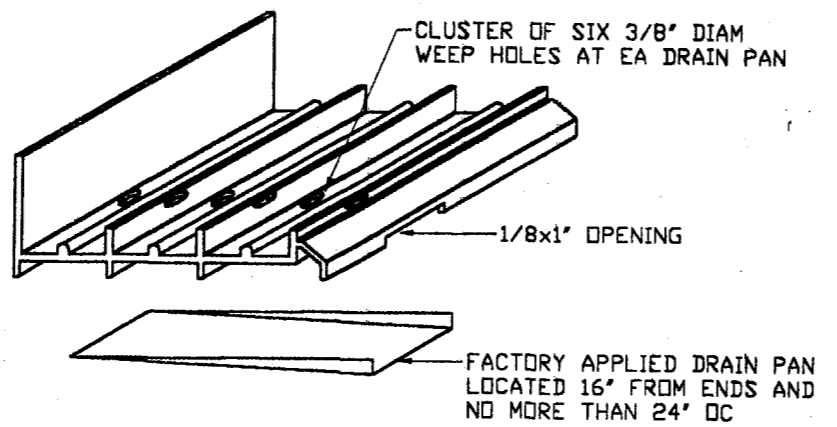
Date: 12/06/05
 Scale: NA
 Design by: PPMF

PRODUCT CONTROL DIVISION:
PRODUCT REVISED
 as complying with the Florida
 Building Code
 Acceptance No. 05-092.11
 Expiration Date 09/06/08
M. Thakur
 Miami Dade Product Control
 Division

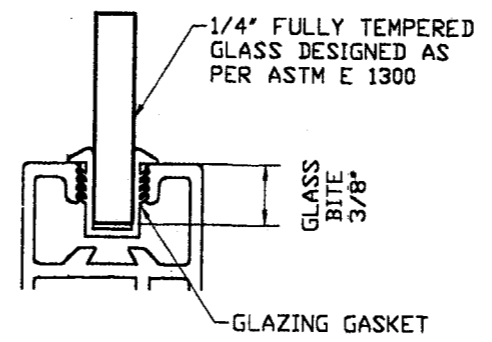
Drawing Number
04-227R2

Sheet
8 of 9

THRESHOLD DRAINAGE

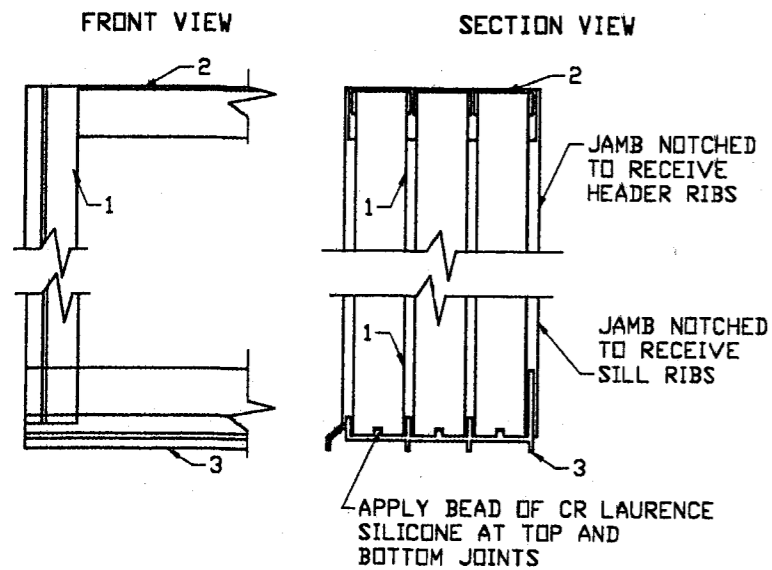


GLAZING DETAIL

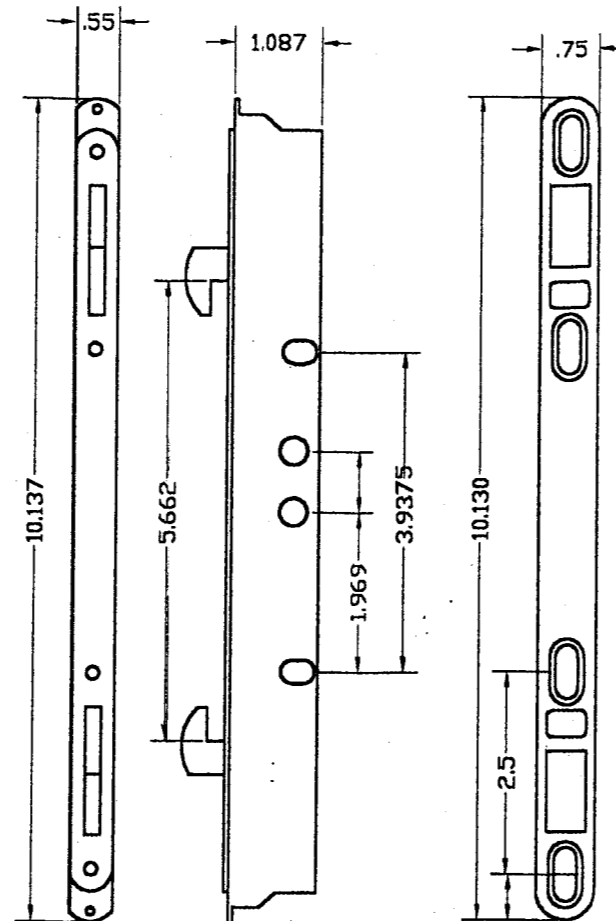
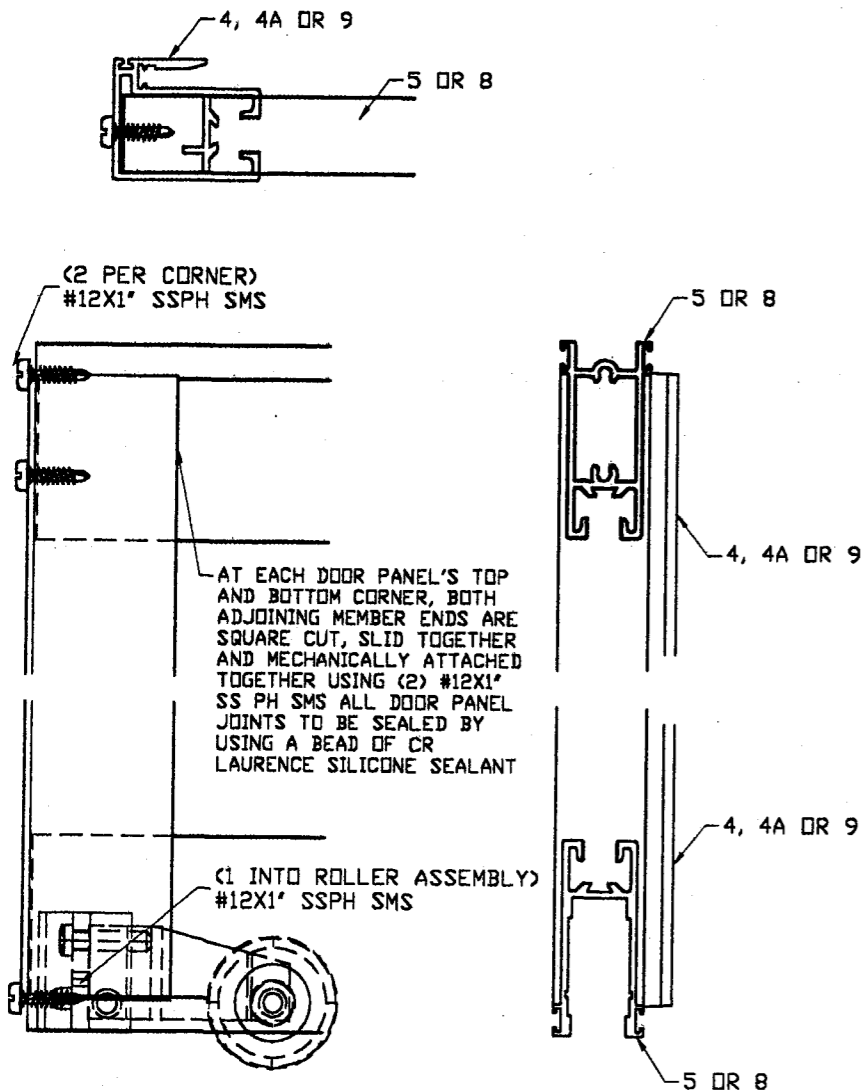


PRODUCT RENEWED
 as complying with the Florida
 Building Code
 Acceptance No. 08-0213.01
 Expiration Date 03/06/2013
Juan...
 Miami Dade Product Control
 Division

FRAMING CORNER ASSEMBLY

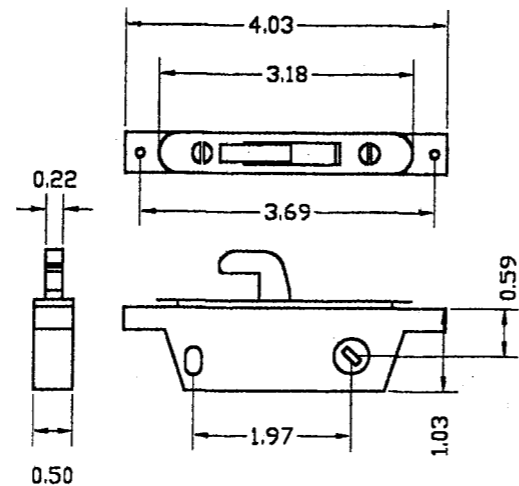


DOOR CORNER ASSEMBLY

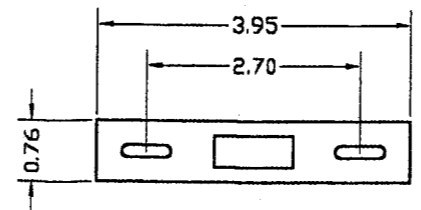


18A- OPTIONAL DEADLOCK
 1 PER LOCK MEETING STILE
 SASH CONTROLS MULTIPOINT
 MORTISE LOCK ASSEMBLY
 PART# 991 ATTACHED TO
 THE DOOR BY (2) #8-1/4" MS

19A - OPTIONAL STRIKE PLATE
 1 PER MEETING STILE OR JAMB
 SASH CONTROLS, INC. KEEPER PART# 2470.
 KEEPER IS ATTACHED TO
 END RAIL BY USING FOUR
 #10-16X1/2" SS PHSMS.



18- DEADLOCK
 1 PER LOCK MEETING STILE
 ADAMS RITE DEADLOCK SERIES MS1847
 ATTACHED TO THE DOOR BY (2) #6-1/4" MS

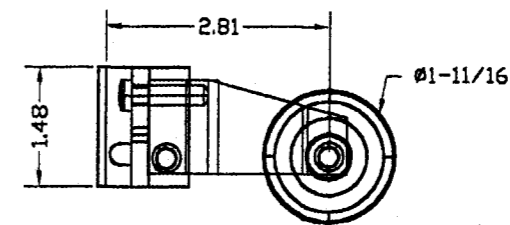
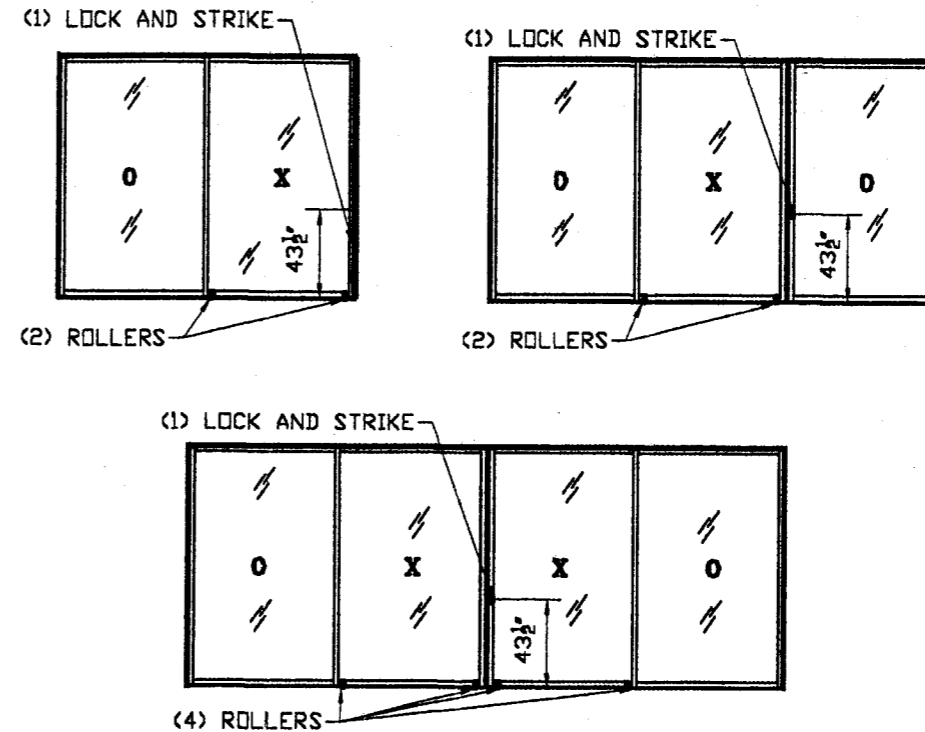


19 - STRIKE PLATE
 1 PER MEETING STILE OR JAMB
 ADAMS RITE LATCH SERIES MS1847 ATTACHED
 TO THE DOOR BY (2) #10-16X1" MS

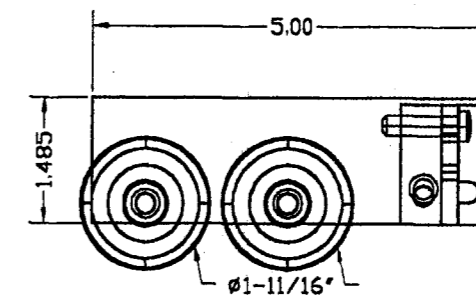
PRODUCT RENEWED
 as complying with the Florida
 Building Code
 Acceptance No 08-0213.01
 Expiration Date 03/06/2013

By *[Signature]*
 Miami Dade Product Control
 Division

HARDWARE



17- NYLON ROLLER
 1200 AND 1200A SERIES ONLY
 2 PER OPERABLE DOOR PANEL
 SAUNDERS ENGINEERING CORP PART# P155SS
 ADJUSTABLE 1 11/16" DIAMETER NYLON
 ROLLER ASSEMBLY WITH ALUMINUM HOUSING
 ATTACHED TO THE BOTTOM RAIL USING ONE
 1/4" DIAMETER PIN.



17A- DUAL NYLON ROLLER
 3000 AND 3000R SERIES ONLY
 2 PER OPERABLE DOOR PANEL
 BUILDERS HARDWARE INC. PART# 1000-166
 BNSS ADJUSTABLE 1 11/16" DIAMETER
 NYLON ROLLERS ASSEMBLY WITH ALUMINUM
 HOUSING ATTACHED TO THE BOTTOM RAIL
 USING ONE 1/4" DIAMETER PIN.

MANUFACTURER:
SE SOUTH EASTERN DOOR COMPANY
 Manufacturers of Standard and Custom Sliding Doors

1505 COMMERCE LANE,
 P. O. BOX 794
 JUPITER, FLORIDA
 33458
 PHONE: (561) 746-5493
 FAX: (561) 575-1826

PRODUCT:
ATLAS PLUS Series

MODELS 1200, 1200A,
 3000, 3000R ALUMINUM
 SLIDING GLASS DOOR

Engineering:
EngCo Inc.

CA 8116
 6971 W. SUNRISE BLVD. 104
 PLANTATION, FL. 33313
 TEL: (954) 585-0304
 FAX: (954) 585-0305

[Signature]

DEC 06 2005
 Engineer Seal
 Pedro De Figueiredo
 PE 52609

Date: 12/06/05
 Scale: NA
 Design by: PPMF

PRODUCT CONTROL DIVISION:
PRODUCT RENEWED
 as complying with the Florida
 Building Code
 Acceptance No 05-0921.11
 Expiration Date 04/06/08
 By *[Signature]*
 Miami Dade Product Control
 Division

Drawing Number
04-227R2

Sheet
 9 of 9